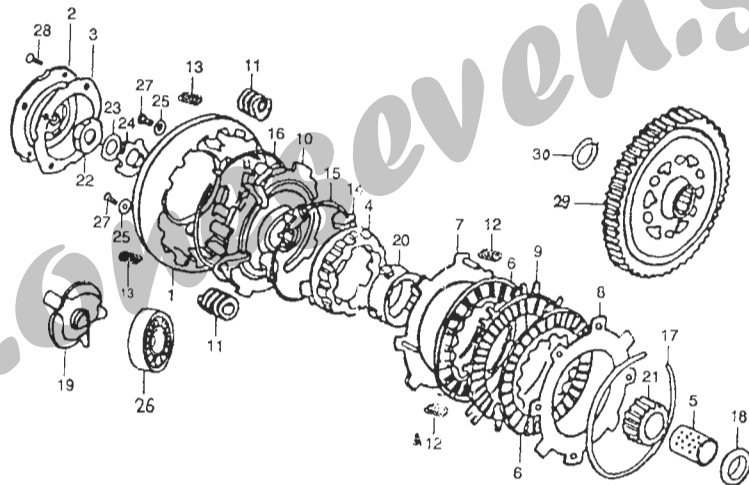


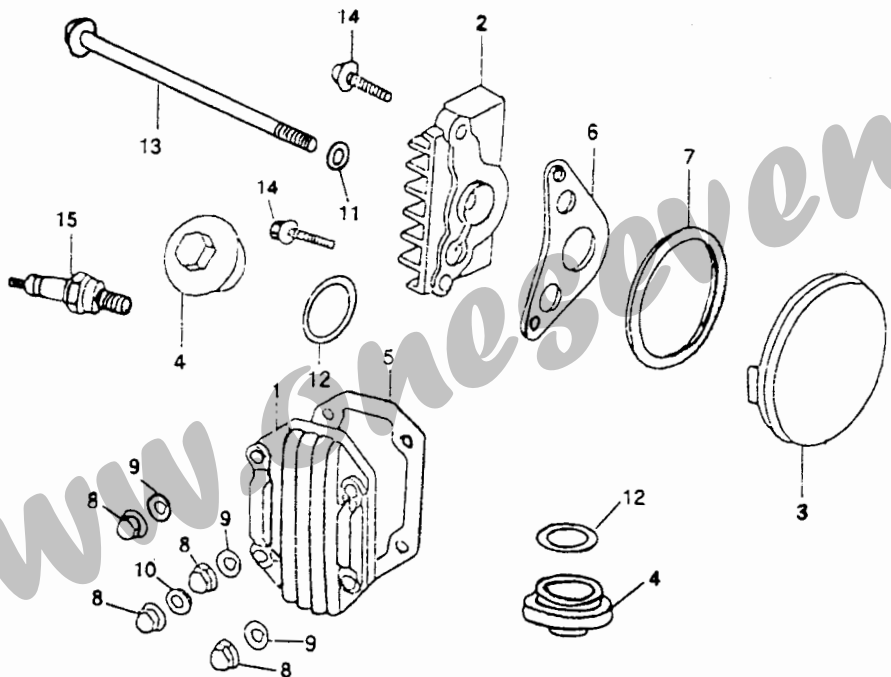
PARTS EXPLORED VIEW



- 50CC
- 4 STROKES
- 4 SPEEDS
- SEMI-AUTO

139FMB-ZD(ZD50) ENGINE:

| | |
|------------------------------------|----|
| CYLINDER HEAD COVER..... | 1 |
| CYLINDER HEAD..... | 2 |
| CAMSHAFT, VALVE..... | 3 |
| TIMING CHAIN, TENSIONER..... | 4 |
| CYLINDER..... | 5 |
| RIGHT CRANKCASE COVER..... | 6 |
| CLUTCH..... | 7 |
| OIL PUMP..... | 8 |
| LEFT CRANKCASE COVER..... | 9 |
| MAGNETO..... | 10 |
| STARTING CLUTCH..... | 11 |
| STARTING MOTOR..... | 12 |
| CRANKCASE..... | 13 |
| CRANKSHAFT, PISTON..... | 14 |
| TRANSMISSION MECHANISM..... | 15 |
| GEAR SHIFT..... | 16 |
| KICK STARTER..... | 17 |
| CARBURETOR..... | 18 |
| ELECTRICAL CONNECTOR HARDNESS..... | 19 |

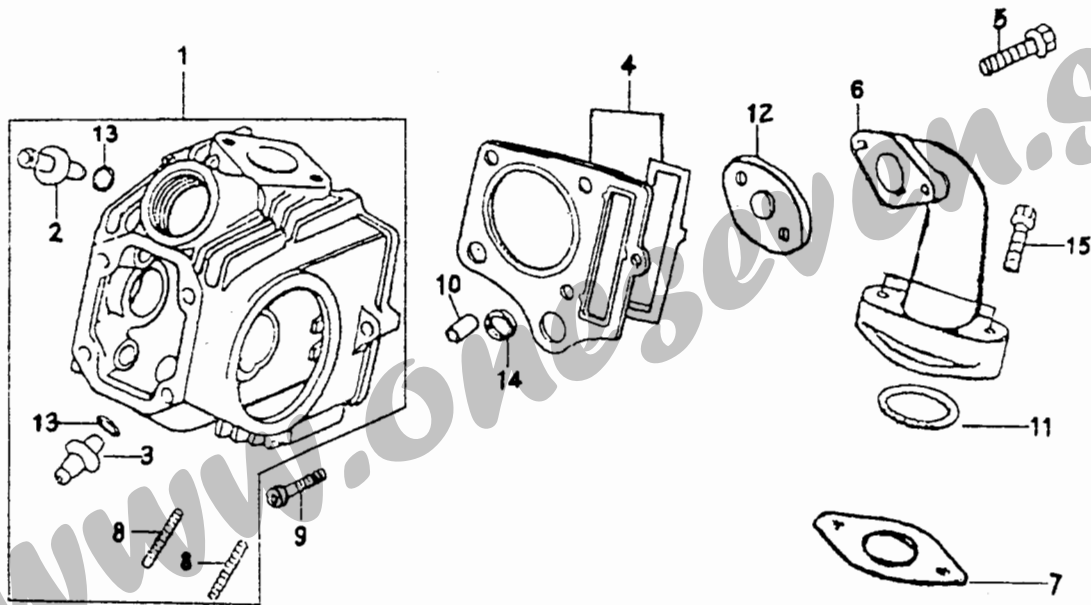


139FMB-ZD(ZD50) ENGINE

www.oneseven.se

| CYLINDER HEAD COVER | | | | | | | 1. |
|---------------------|-----------------|------------------------------|---|----------|-------------|------|----|
| Part No. | Description | Q'ty | | Part No. | Description | Q'ty | |
| 1 | 11226-D002-0000 | Upper cover,cylinder head | 1 | | | | |
| 2 | 11228-D002-0000 | Cover,R.cylinder head side | 1 | | | | |
| 3 | 11227-D002-0000 | Cover,L.cylinder head side | 1 | | | | |
| 4 | 11229-D002-0000 | Cover, valve chamber | 2 | | | | |
| 5 | 90201-D002-0000 | Gasket | 1 | | | | |
| 6 | 90203-D002-0000 | Gasket,R.cylinder head cover | 1 | | | | |
| 7 | 90202-D002-0000 | Gasket,L.cylinder head cover | 1 | | | | |
| 8 | 91201-D002-0000 | Nut M6 | 4 | | | | |
| 9 | 91302-D002-0000 | Washer 6 (iron) | 3 | | | | |
| 10 | 91303-D002-0000 | Washer 6 (copper) | 1 | | | | |
| 11 | 91308-D002-0000 | Washer 6 | 1 | | | | |
| 12 | 90104-D002-0000 | O-seal 31.5x3.55 | 2 | | | | |
| 13 | 91192-D002-0000 | Bolt M6x110 | 1 | | | | |
| 14 | S7013-0000-0000 | Bolt M6x20 | 2 | | | | |
| 15 | 81300-G011-0000 | Spark plug 1137 | | | | | |

www.oneseven.se



139FMB-ZD(ZD50) ENGINE

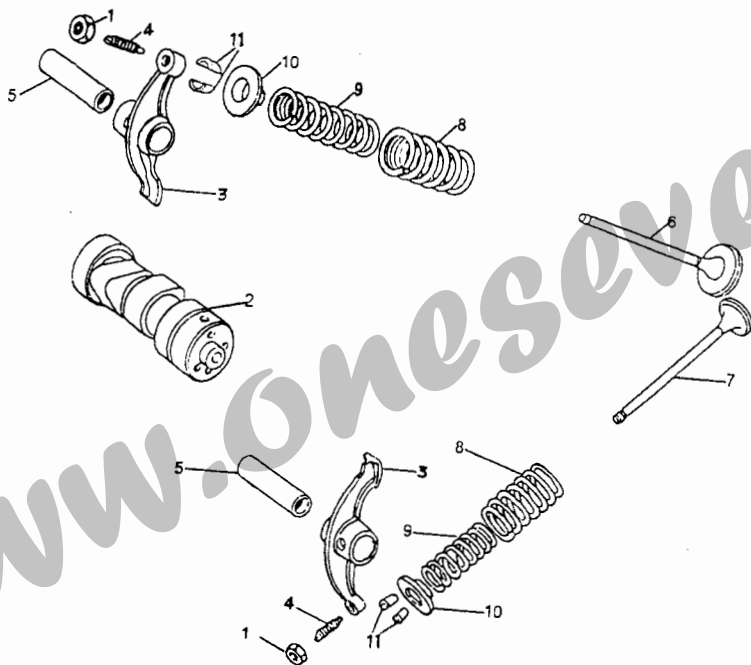
www.oneseven.se

| CYLINDER HEAD | | | | 2. | | |
|---------------|-----------------|----------------------------|----------|-------------|------|--|
| Part No. | Description | Q'ty | Part No. | Description | Q'ty | |
| 1 | 1122B-B086-0000 | Cylinder head assy | 1 | | | |
| 2 | 11246-D002-0000 | Intake valve guide | 1 | | | |
| 3 | 11247-D002-0000 | Exhaust valve guide | 1 | | | |
| 4 | 9022B-B086-0000 | Gasket assy, cylinder head | 1 | | | |
| 5 | S7060-0000-0000 | Hex flange bolt M6x22 | 2 | | | |
| 6 | 15800-B086-0000 | Carburetor joint | 1 | | | |
| 7 | 90214-D002-0000 | Heat insulating ring | 1 | | | |
| 8 | 91182-D002-0000 | Stud bolt M6x32 | 2 | | | |
| 9 | 91113-D002-0000 | Bolt M6x23 | 1 | | | |
| 10 | 11235-D002-0000 | Bush 9.5 | 1 | | | |
| 11 | 90117-D002-0000 | O-ring 27x2.0 | 1 | | | |
| 12 | 15810-D002-0000 | Carburetor gasket | 1 | | | |
| 13 | F0025-0000-0000 | O-ring 9x1.6 | 2 | | | |
| 14 | 90129-D002-0001 | Gasket, rectangle rubber | 1 | | | |
| 15 | S7062-0000-0000 | Hex flange bolt M6x28 | 1 | | | |

www.oneseven.se

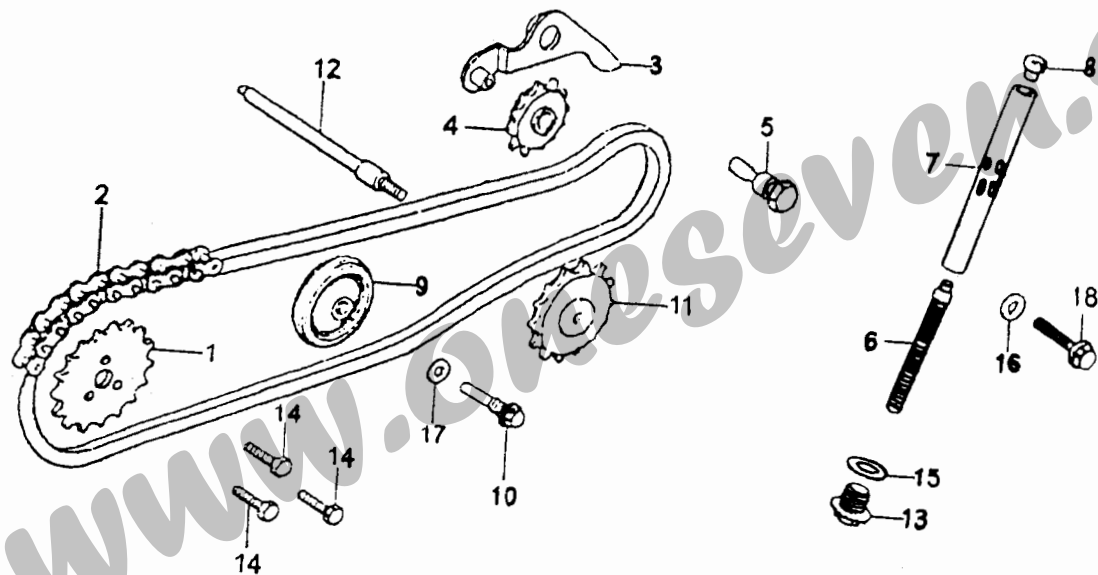
139FMB-ZD(ZD50) ENGINE

www.oneseven.se



CAMSHAFT, VALVE

www.oneseven.se



139FMB-ZD(ZD50) ENGINE

www.oneseven.se

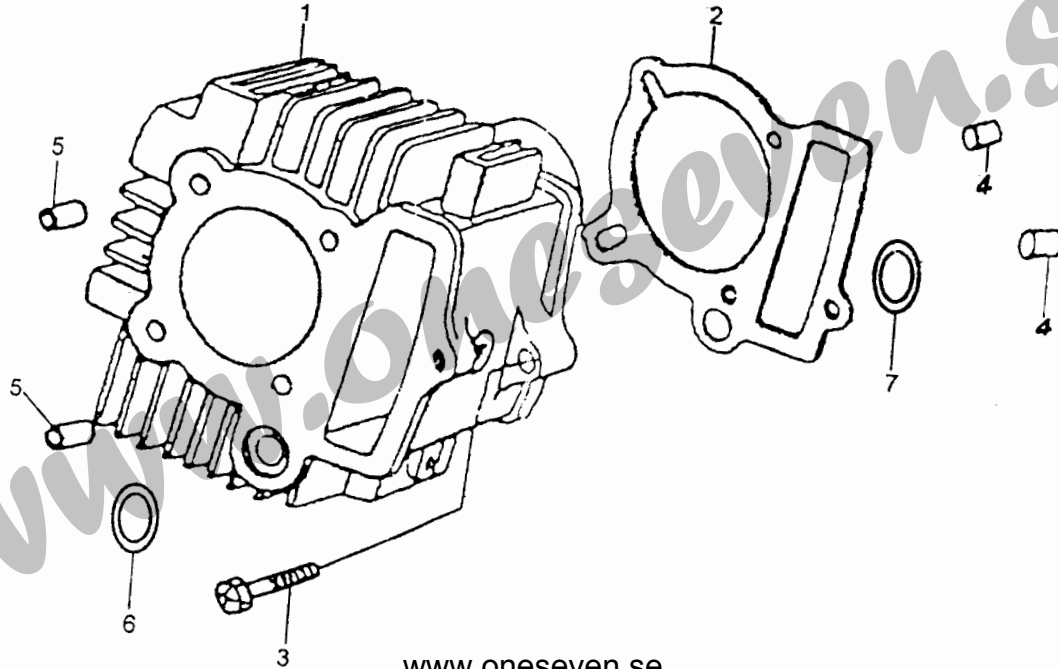
TIMING CHAIN, TENSIONER

4.

| TIMING CHAIN, TENSIONER | | | | | | | |
|-------------------------|-----------------|--------------------------------|---|----------|-----------------|------------|---|
| Part No. | Description | Q'ty | | Part No. | Description | Q'ty | |
| 1 | 15301-D002-0000 | Timing drive sprocket | 1 | 16 | 91305-D002-0000 | Washer 6 | 1 |
| 2 | 1532B-D002-0000 | Chain comp. | 1 | 17 | 91310-D002-0000 | Washer 8 | 1 |
| 3 | 1556B-D002-0000 | Chain tensioner arm set | 1 | 18 | S7059-D002-0000 | Bolt M6x22 | 1 |
| 4 | 1554B-D002-0000 | Chain tensioner set | 1 | | | | |
| 5 | 15505-D002-0000 | Conter shaft | 1 | | | | |
| 6 | 15503-D002-0000 | Spring - chain tensioner lever | 1 | | | | |
| 7 | 1555B-D002-0000 | Chain tensioner lever set | 1 | | | | |
| 8 | 15504-D002-0000 | Cap - chain tensioner lever | 1 | | | | |
| 9 | 1533A-D002-0000 | Chain guide wheel comp. | 1 | | | | |
| 10 | 15302-D002-0000 | Dowel pin | 1 | | | | |
| 11 | 1432B-D002-0000 | Trans. gear of oil pump | 1 | | | | |
| 12 | 14302-D002-0000 | Sprocket shaft of oil pump | 1 | | | | |
| 13 | 91105-D002-0000 | Seal purge M14x1.5 | 3 | | | | |
| 14 | 91191-D002-0000 | Bolt M6x12 | 1 | | | | |
| 15 | 91317-D002-0000 | Washer 14 | | | | | |

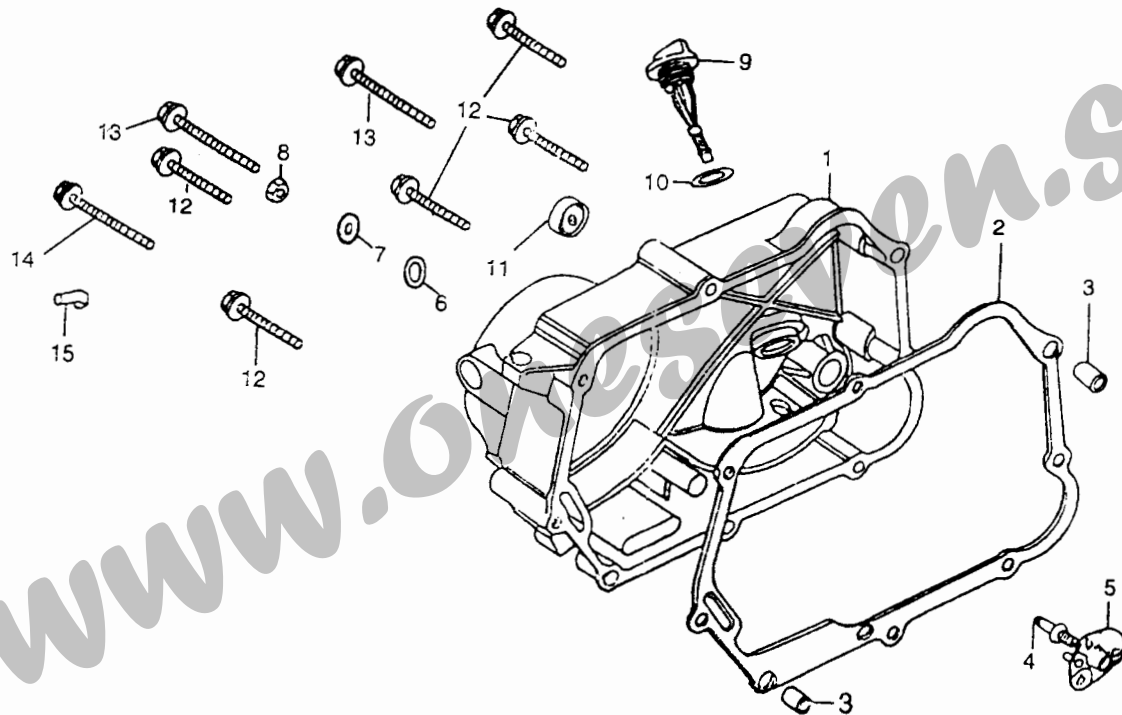
www.oneseven.se

139FMB-ZD(ZD50) ENGINE



139FMB-ZD(ZD50) ENGINE

www.oneseven.se



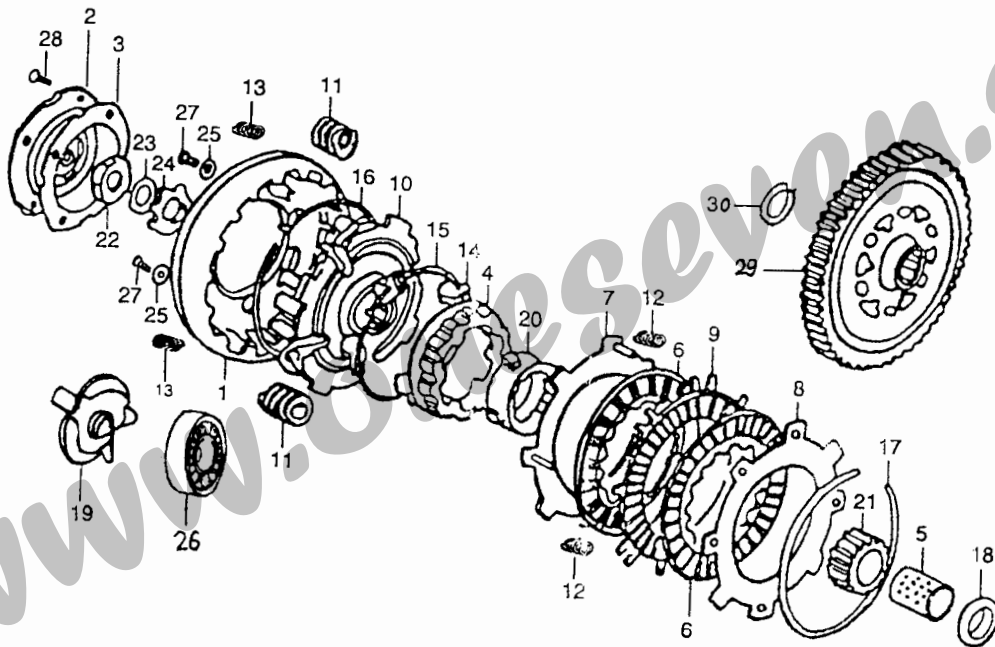
RIGHT CRANKCASE COVER www.oneseven.se

139FMB-ZD(ZD50) ENGINE

www.oneseven.se

| RIGHT CRANKCASE COVER | | | | 6. | |
|-----------------------|-----------------|------------------------------|----------|-------------|------|
| Part No. | Description | Q'ty | Part No. | Description | Q'ty |
| 1 | 12421-G031-A000 | Right crankcase cover | 1 | | |
| 2 | 90206-G011-0000 | Right crankcase cover gasket | 1 | | |
| 3 | 91501-D002-0000 | Dowel pin 8x12 | 2 | | |
| 4 | 91112-G031-0000 | Clutch adjusting screw | 1 | | |
| 5 | 22440-H009-0000 | Cam pan comp. | 1 | | |
| 6 | 90122-G011-0000 | O-ring 7.5x1.8 | 1 | | |
| 7 | 91312-G011-0000 | Washer 8 | 1 | | |
| 8 | M6008-0000-0000 | Nut M8 | 1 | | |
| 9 | 14301-D002-0000 | Oil dip rod | 1 | | |
| 10 | 90106-D002-0000 | O-ring | 1 | | |
| 11 | 90304-D002-0000 | Oil seal | 1 | | |
| 12 | S7017-0000-0000 | Bolt M6x40 | 5 | | |
| 13 | S7065-0000-0000 | Bolt M6x65 | 2 | | |
| 14 | S7067-0000-0000 | Bolt M6x80 | 1 | | |
| 15 | 11003-D002-0000 | Clamp | | | |

www.oneseven.se

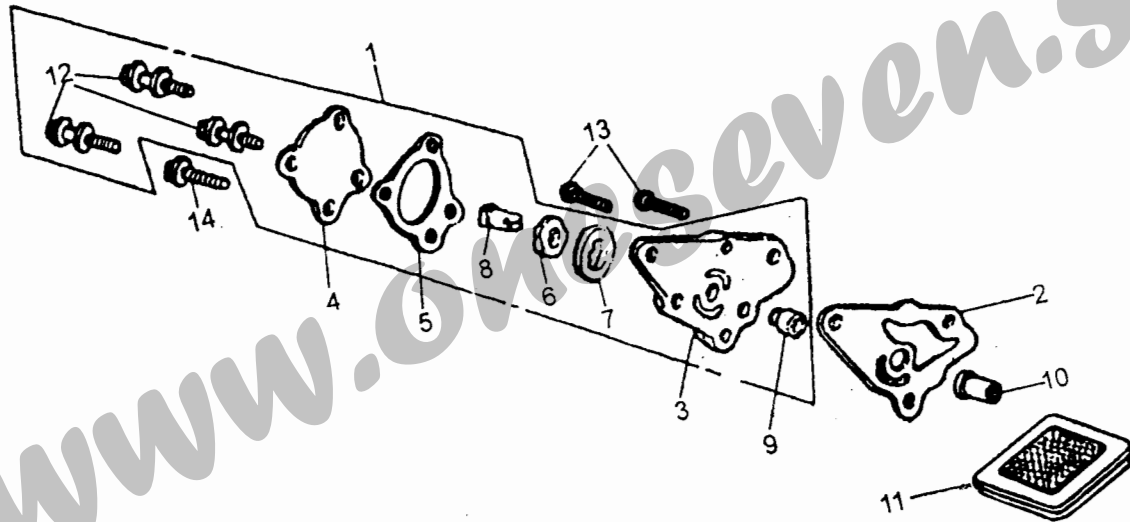


139FMB-ZD(ZD50) ENGINE

www.oneseven.se

| CLUTCH | | | | | | | | 7. |
|----------|-----------------|--------------------------------|------|----------|-----------------|------------------------|------|----|
| Part No. | | Description | Q'ty | Part No. | | Description | Q'ty | |
| 1 | 22140-F009-0000 | Clutch shell comp. | 1 | 16 | 22107-F009-0000 | Fix ring | 1 | |
| 2 | 22121-F009-0000 | Clutch end cover | 1 | 17 | 91403-G031-0000 | Circlip | 1 | |
| 3 | 22125-F009-0000 | Gasket - clutch end cover | 1 | 18 | 22135-G031-0000 | Bush | 1 | |
| 4 | 22102-F009-0000 | Clutch conter comp. | 1 | 19 | 2245A-F009-0000 | Clutch cam plate comp. | 1 | |
| 5 | 23102-G031-0000 | Sleeve | 1 | 20 | 22136-F009-0000 | Sliding dog | 11 | |
| 6 | 22138-F009-0000 | Clutch friction disk comp.(A) | 2 | 21 | 23101-G031-0000 | Drive gear | 1 | |
| 7 | 22134-F009-0001 | Upper plate-clutch friction | 1 | 22 | 91202-G011-0000 | Round nut | 1 | |
| 8 | 22134-F009-0002 | Lower plate-clutch friction | 1 | 23 | 91326-D002-0000 | Butterfly washer | 1 | |
| 9 | 2213A-F009-0000 | Clutch friction disk comp. (B) | 1 | 24 | 91327-G031-0000 | Thrust washer | 1 | |
| 10 | 2215A-F009-0000 | Clutch press plate | 1 | 25 | Q2003-0000-0000 | Washer 5-140HV | 1 | |
| 11 | 22142-F009-0000 | Clutch spring | 4 | 26 | Z0125-0000-0000 | Bearing 6000 | 1 | |
| 12 | 22143-F009-0000 | Clutch release spring | 4 | 27 | L3052-0000-0000 | Screw M5x10 | 2 | |
| 13 | 22149-F009-0000 | Clutch cushion spring | 4 | 28 | L4052-0000-0000 | Screw M5x10 | 4 | |
| 14 | 22105-F009-0000 | Clutch stop | 28 | 29 | 23107-F009-0000 | 2nd Gear | 1 | |
| 15 | 22106-F009-0000 | Stopper ring | 1 | 30 | 91403-G031-0000 | Circlip | 1 | |

www.oneseven.se



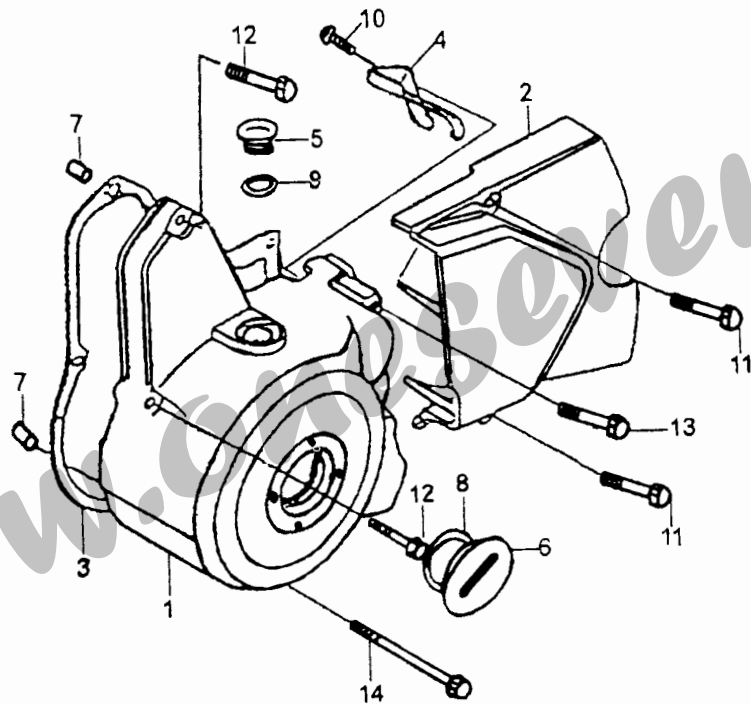
139FMB-ZD(ZD50) ENGINE

www.oneseven.se

| OIL PUMP : | | | | 8. | | | |
|------------|-----------------|-------------------------|------|----------|--|-------------|------|
| Part No. | | Description | Q'ty | Part No. | | Description | Q'ty |
| 1 | 14100-D002-0000 | Oil pump | 1 | | | | |
| 2 | 90210-D002-0000 | Gasket - oil pump body | 1 | | | | |
| 3 | 14110-D002-0000 | Oil pump body | 1 | | | | |
| 4 | 14113-D002-0000 | Oil pump cover | 1 | | | | |
| 5 | 14109-D002-0000 | Gasket - oil pump cover | 1 | | | | |
| 6 | 14111-D002-0000 | Oil pump inner rotor | 1 | | | | |
| 7 | 14112-D002-0000 | Oil pump outer rotor | 1 | | | | |
| 8 | 14107-D002-0000 | Oil pump shaft | 1 | | | | |
| 9 | 14307-D002-0000 | Sleeve bush - oil pump | 1 | | | | |
| 10 | 14304-D002-0000 | Sleeve bush | 1 | | | | |
| 11 | 1431B-D002-0000 | Element comp. | 1 | | | | |
| 12 | L8033-D002-0000 | Washer 5 | 3 | | | | |
| 13 | GB859-76 | Screw M6x16 | 3 | | | | |
| 14 | S7012-0000-0000 | Screw M6x22 | 2 | | | | |
| | | | | | | | |

www.oneseven.se

139FMB-ZD(ZD50) ENGINE www.oneseven.se



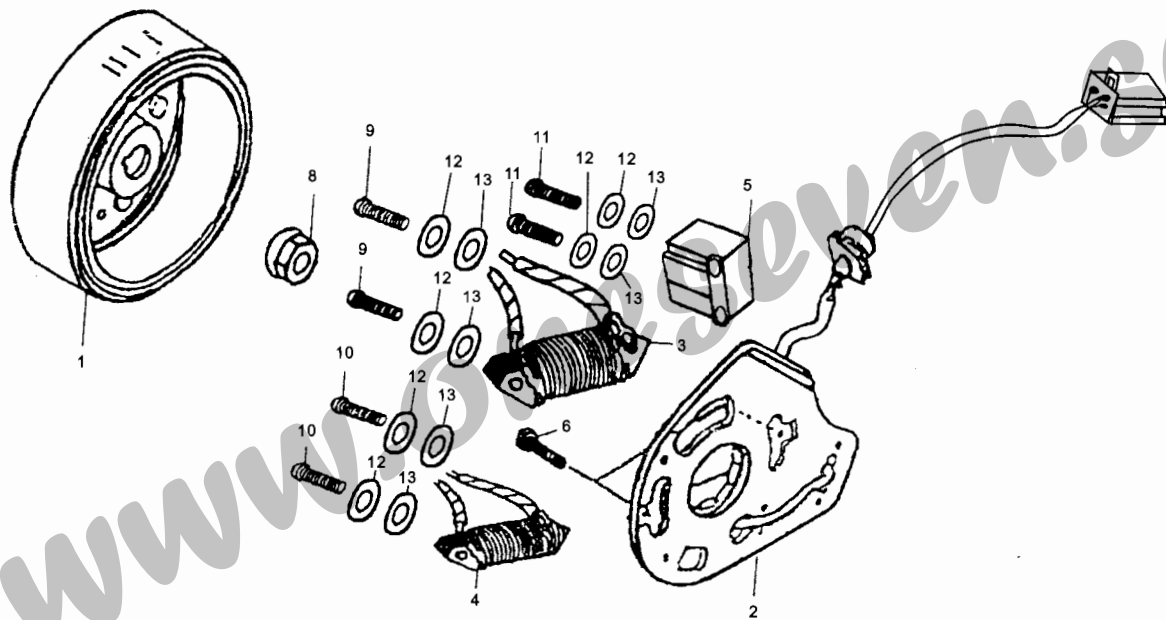
LEFT CRANKCASE COVER www.oneseven.se

139FMB-ZD(ZD50) ENGINE

www.oneseven.se

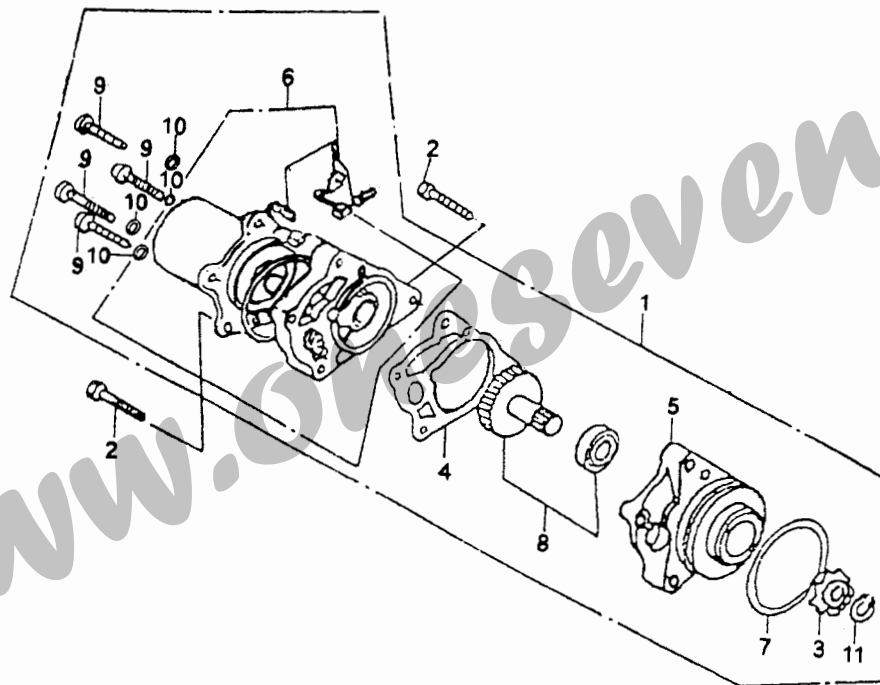
| LEFT CRANKCASE COVER | | | | | | | 9. |
|----------------------|-----------------|-----------------------------|---|----------|-------------|------|----|
| Part No. | Description | Q'ty | | Part No. | Description | Q'ty | |
| 1 | 12301-G011-0000 | Left crankcase front cover | 1 | | | | |
| 2 | 12302-G011-0000 | Left crankcase rear cover | 1 | | | | |
| 3 | 90204-G011-0000 | Left crankcase cover gasket | 1 | | | | |
| 4 | 12305-G011-0000 | Clamp | 1 | | | | |
| 5 | 12303-G011-0000 | Magneto small cap | 1 | | | | |
| 6 | 12304-G011-0000 | Magneto big cap | 1 | | | | |
| 7 | 91501-D002-0000 | Dowel pin 8x16 | 2 | | | | |
| 8 | 90107-D002-0000 | O-ring 27x2.0 | 1 | | | | |
| 9 | 90102-G011-0000 | O-ring 13.8x2.5 | 1 | | | | |
| 10 | L8056-0000-0000 | Bolt M6x16 | 1 | | | | |
| 11 | S7014-0000-0000 | Bolt M6x25 | 2 | | | | |
| 12 | S7063-0000-0000 | Bolt M6x32 | 2 | | | | |
| 13 | S7019-0000-0000 | Bolt M6x50 | 1 | | | | |
| 14 | S7066-0000-0000 | Bolt M6x70 | 1 | | | | |
| | | | | | | | |

www.oneseven.se



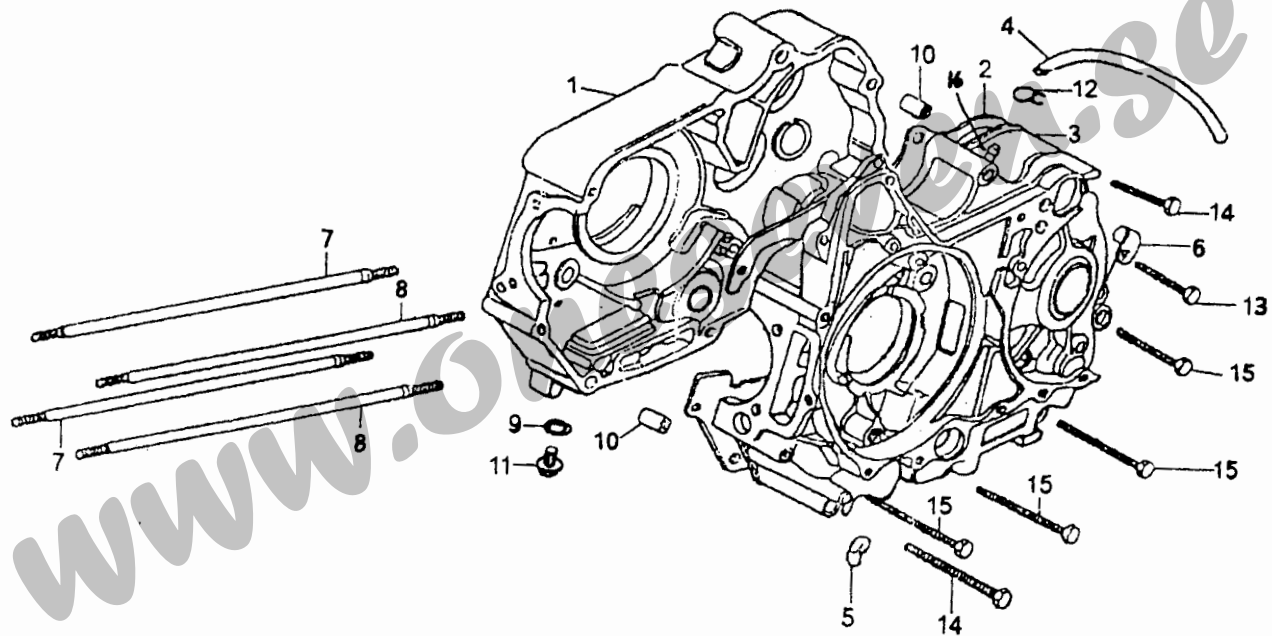
139FMB-ZD(ZD50) ENGINE

www.oneseven.se



STARTING MOTOR

www.oneseven.se



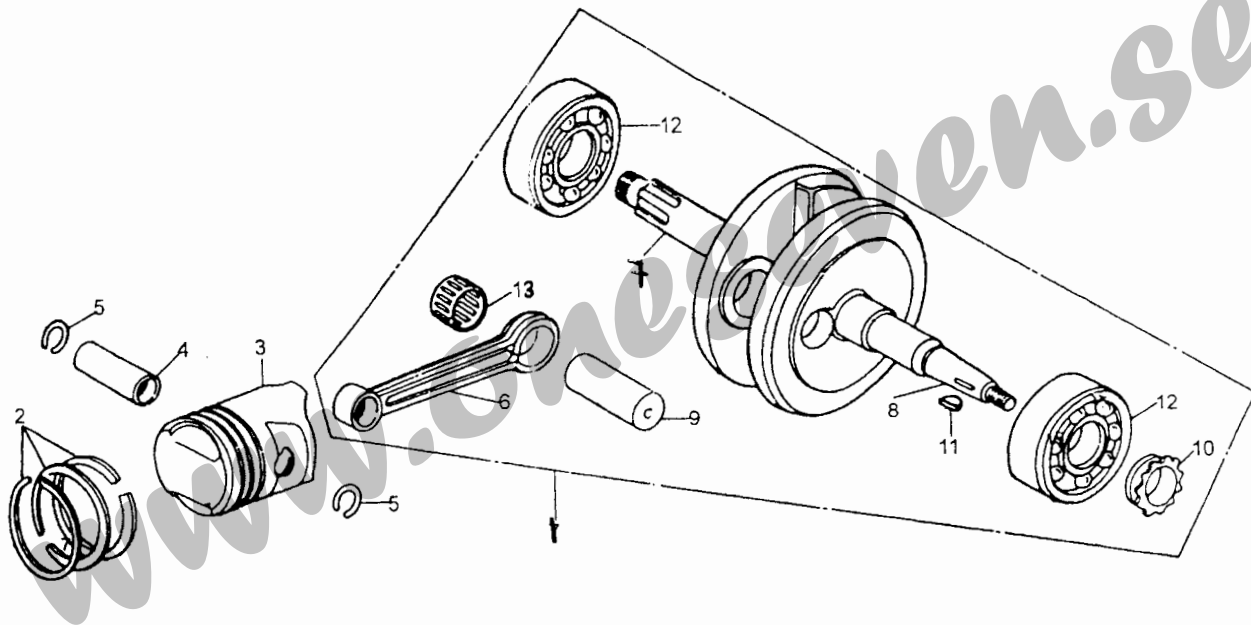
CRANKCASE

139FMB-ZD(ZD50) ENGINE

www.oneseven.se

| CRANKCASE | | | | | | | | 13. |
|-----------|-----------------|-----------------------|------|----------|-----------------|----------------|------|-----|
| Part No. | | Description | Q'ty | Part No. | | Description | Q'ty | |
| 1 | 1222B-H064-0000 | Right crankcase comp. | 1 | 16 | 12109-D002-0000 | Valve pipe fit | 1 | |
| 2 | 90208-D002-0000 | Gasket | 1 | | | | | |
| 3 | 1212B-H064-0000 | Left crankcase comp. | 1 | | | | | |
| 4 | 12105-D002-0000 | Valve pipe | 1 | | | | | |
| 5 | 12108-D002-0000 | Oil seal 11.6x24x10 | 1 | | | | | |
| 6 | 12101-D002-0000 | Clamp | 1 | | | | | |
| 7 | 91101-D002-0000 | Stud bolt A | 2 | | | | | |
| 8 | 91102-D002-0000 | Stud bolt B | 2 | | | | | |
| 9 | 91316-D002-0000 | Washer | 1 | | | | | |
| 10 | 91505-D002-0000 | Dowel pin 10x14 | 2 | | | | | |
| 11 | 91103-D002-0000 | Purge cock M12x1.5 | 1 | | | | | |
| 12 | 91405-D002-0000 | Circilp 10 | 1 | | | | | |
| 13 | S7018-0000-0000 | Bolt M6x50 | 1 | | | | | |
| 14 | S7020-0000-0000 | Bolt M6x60 | 2 | | | | | |
| 15 | S7065-0000-0000 | Bolt M6x65 | | | | | | |

www.oneseven.se



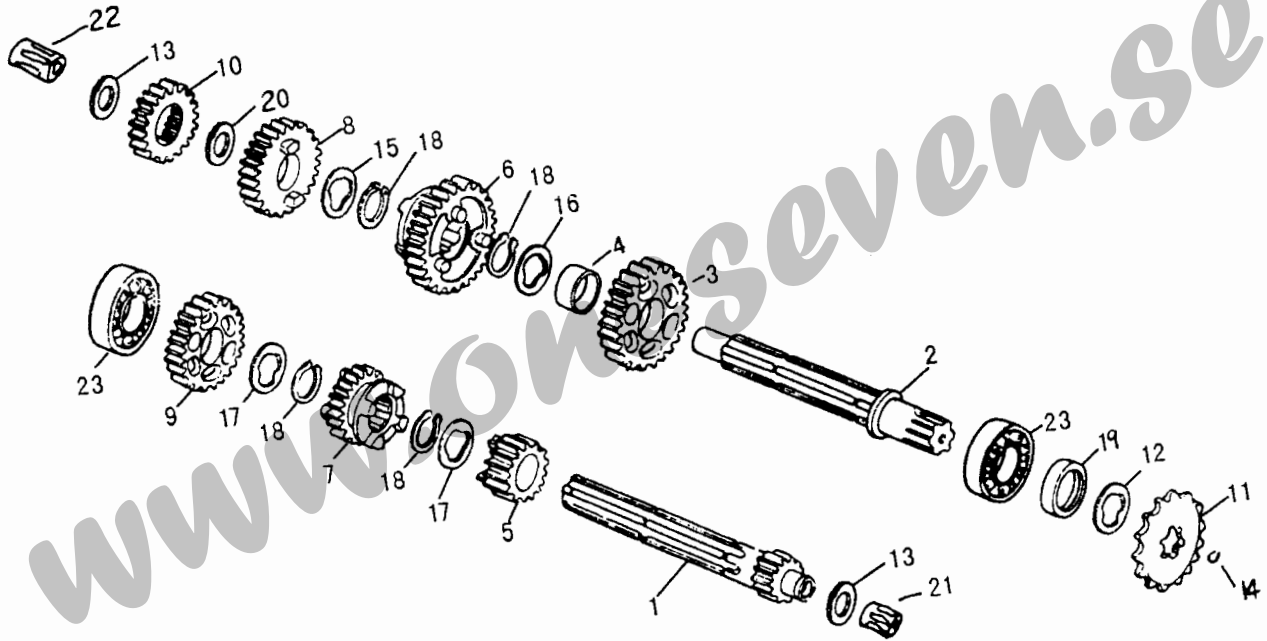
CRANKSHAFT, PISTON

139FMB-ZD(ZD50) ENGINE

www.oneseven.se

| CRANKSHAFT, PISTON | | | | | | | 14. |
|--------------------|-----------------|-----------------------|----------|-------------|-----------------|-------------------------|-----|
| Part No. | Description | Q'ty | Part No. | Description | Q'ty | | |
| 1 | 1320B-D086-0000 | Crank shaft assy | 1 | 13 | Z7004-0000-0000 | Needle bearing KS253013 | 1 |
| 2 | 70.3-R | Piston ring comp. | 1 | | | | |
| | 13103-D086-0000 | 1th of piston ring | 1 | | | | |
| | 13104-D086-0000 | 2nd. of piston ring | 1 | | | | |
| | 13120-D086-0000 | 3rd. Of piston ring | 1 | | | | |
| 3 | 13101-D086-0000 | Piston | 1 | | | | |
| 4 | 13102-D086-0000 | Piston pin | 1 | | | | |
| 5 | 91401-D002-0000 | Piston pin clip | 2 | | | | |
| 6 | 13204-D002-0000 | Connecting rod | 1 | | | | |
| 7 | 13203-D002-0000 | Right crank web comp. | 1 | | | | |
| 8 | 13202-D002-0000 | Left crank web comp. | 1 | | | | |
| 9 | 13205-D002-0000 | Crank pin | 1 | | | | |
| 10 | 15101-D002-0000 | Trans. Gear | 1 | | | | |
| 11 | 91601-D002-0000 | Woodruff key | 2 | | | | |
| 12 | Z0193-0000-0000 | Bearing 6304 | | | | | |

www.oneseven.se



139FMB-ZD(ZD50) ENGINE

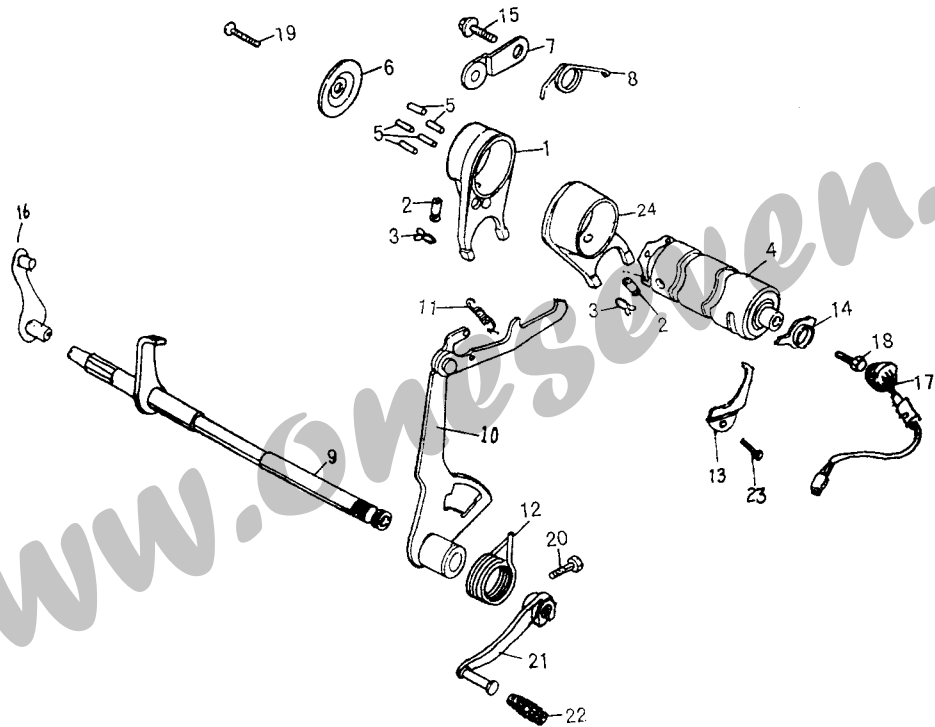
www.oneseven.se

| TRANSMISSION MECHANISM | | | | | | | | 15. |
|------------------------|-----------------|---------------------------|------|----------|-----------------|---------------------------|------|-----|
| Part No. | | Description | Q'ty | Part No. | | Description | Q'ty | |
| 1 | 23224-D002-0000 | Trans. main shaft 11T | 1 | 16 | 91328-D002-0000 | Spline washer 20 | 1 | |
| 2 | 23228-D002-0000 | Trans.counter shaft | 1 | 17 | 91327-D002-0000 | Spline washer 17 | 2 | |
| 3 | 23231-D002-0000 | Countershaft 1st gear 36T | 1 | 18 | D2011-D002-0000 | Circlip 20 | 4 | |
| 4 | 23232-D002-0000 | Sleeve 20x19 | 1 | 19 | 90305-D002-0000 | Oil seal 17x29x5 | 1 | |
| 5 | 23221-D002-0000 | Main shaft 2nd gear 16T | 1 | 20 | | Thrust washer | 2 | |
| 6 | 23403-D002-0000 | Countershaft 2nd gear 31T | 1 | 21 | Z0226-0000-0000 | Needle bearing NK142212 | 1 | |
| 7 | 23222-D002-0000 | Main shaft 3rd gear 18T | 1 | 22 | Z0160-0000-0000 | Needle bearing NK13.52212 | 1 | |
| 8 | 23233-D002-0000 | Countershaft 3rd gear 29T | 2 | 23 | Z0162-0000-0000 | Bearing 6203 GB276 | 2 | |
| 9 | 23223-D002-0000 | Main shaft 4th gear 20T | 1 | | | | | |
| 10 | 23234-D002-0000 | Countershaft 4th gear 27T | 1 | | | | | |
| 11 | 23401-D002-0000 | Drive sprocket | 1 | | | | | |
| 12 | | Spline washer | 1 | | | | | |
| 13 | 91328-D002-0000 | Thrust washer 14 | 2 | | | | | |
| 14 | Q0006-0000-0000 | Spring washer | 1 | | | | | |
| 15 | 91328-D002-0000 | Thrust washer 17 | 1 | | | | | |

www.oneseven.se

139FMB-ZD(ZD50) ENGINE

www.oneseven.se



GEAR SHIFT

www.oneseven.se

139FMB-ZD(ZD50) ENGINE

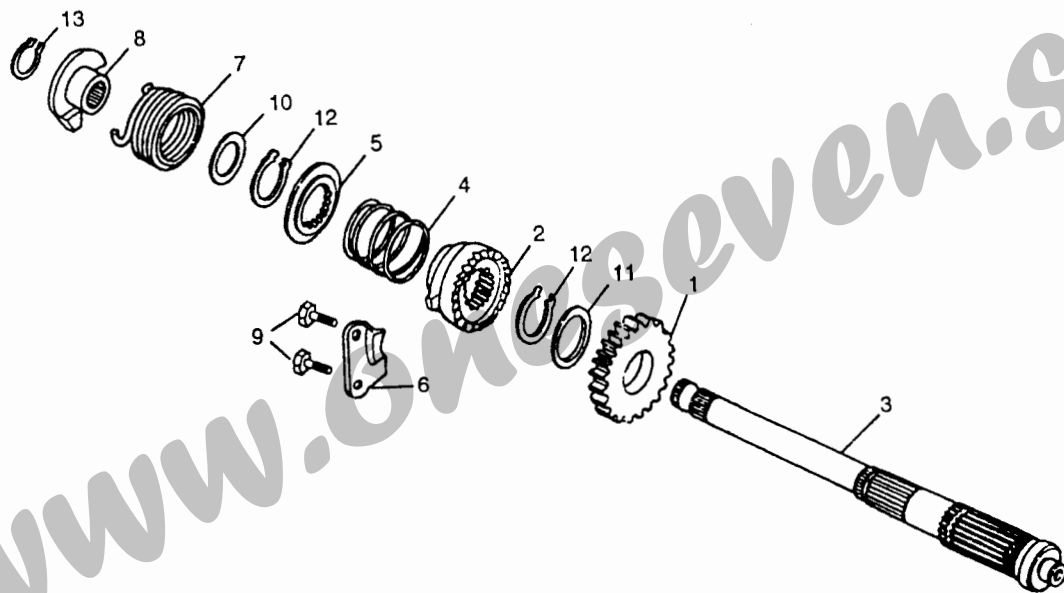
www.oneseven.se

| GEAR SHIFT | | | | 16. | | | |
|------------|-----------------|---------------------------------|----------|-------------|-----------------|---------------------------|---|
| Part No. | Description | Q'ty | Part No. | Description | Q'ty | | |
| 1 | 24106-H064-0000 | Gearshift fork | 2 | 16 | 2242A-G031-0000 | Clutch control arm comp. | 1 |
| 2 | 24102-D002-0000 | Guide pin | 2 | 17 | 8803B-G011-0000 | Gearshift switch comp. | 1 |
| 3 | 24103-D002-0000 | Clip | 2 | 18 | S3029-0000-0000 | Bolt M6x16 | 1 |
| 4 | 24213-G011-0000 | Trans. drum | 1 | 19 | L6065-0000-0000 | Screw M6x20 | 1 |
| 5 | 24217-D002-0000 | Dowel pin | 5 | 20 | S3030-0000-0000 | Bolt M6x20 | 1 |
| 6 | 24216-D002-0000 | Dowel plate | 1 | 21 | 24410-D002-0000 | Gearshift pedal | 1 |
| 7 | 2434A-H032-0000 | Stopper plate comp. | 1 | 22 | 24401-D002-0000 | Rubber pedal of gearshift | 1 |
| 8 | 24342-G011-0000 | Return spring of stopper plate | 1 | 23 | L8055-0000-0000 | Screw M6x12 | 1 |
| 9 | 24301-D002-0000 | Gearshift shaft comp. | 1 | 24 | 24104-H064-0000 | Gear counter shift fork | 1 |
| 10 | 90.6.5A | Gearshift lever comp. | 1 | | | | |
| 11 | 24331-D002-0000 | Gearshift lever tension spring | 1 | | | | |
| 12 | 24332-D002-0000 | Gearshift lever return spring | 1 | | | | |
| 13 | 88002-G011-0000 | Gearshift switch pressing plate | 1 | | | | |
| 14 | 88004-G011-0000 | Gearshift switch fixing plate | 1 | | | | |
| 15 | 91115-D002-0000 | Bolt M6x16 | 1 | | | | |

www.oneseven.se

139FMB-ZD(ZD50) ENGINE

www.oneseven.se



KICK STARTER

www.oneseven.se

139FMB-ZD(ZD50) ENGINE

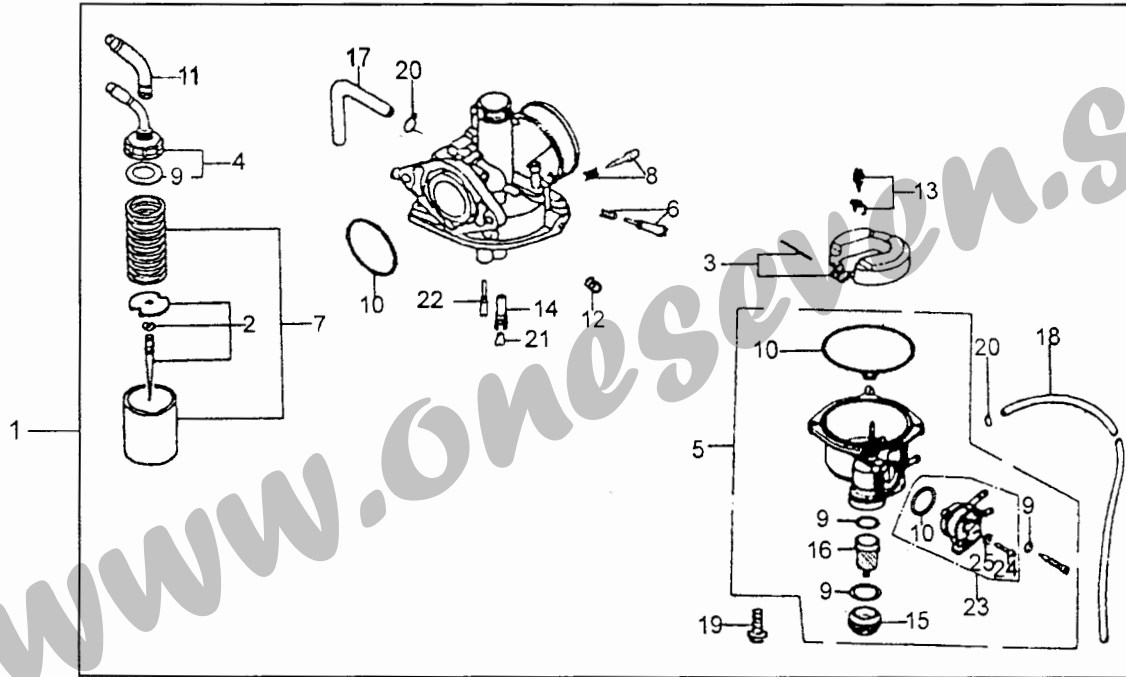
www.oneseven.se

| KICK STARTER | | | | | | | 17. |
|--------------|-----------------|----------------------------|------|----------|-------------|------|-----|
| | Part No. | Description | Q'ty | Part No. | Description | Q'ty | |
| 1 | 21109-H064-0000 | Kick starter gear | 1 | | | | |
| 2 | 21118-H064-0000 | Starter ratchet | 1 | | | | |
| 3 | 21107-D002-0000 | Kick axle | 1 | | | | |
| 4 | 21119-G011-0000 | Spring | 1 | | | | |
| 5 | 70.7-10 | Ratchet wheel spring seat | 1 | | | | |
| 6 | 70.7-2 | Guide of ratchet wheel | 1 | | | | |
| 7 | 21106-H064-0000 | Kick starter return spring | 1 | | | | |
| 8 | 21104-D002-0000 | Kick axle spring seat | 1 | | | | |
| 9 | GB5787-86 | Bolt M6x20 | 2 | | | | |
| 10 | 70.7-9 | Washer 17 | 1 | | | | |
| 11 | 91327-0000-0001 | Thrust washer 20 | 1 | | | | |
| 12 | 91407-D002-0000 | Circlip 20 | 2 | | | | |
| 13 | 91402-D002-0000 | Circlip 16 | 1 | | | | |
| | | | | | | | |
| | | | | | | | |

www.oneseven.se

139FMB-ZD(ZD50) ENGINE

www.oneseven.se



CARBURETOR

www.oneseven.se

139FMB-ZD(ZD50) ENGINE

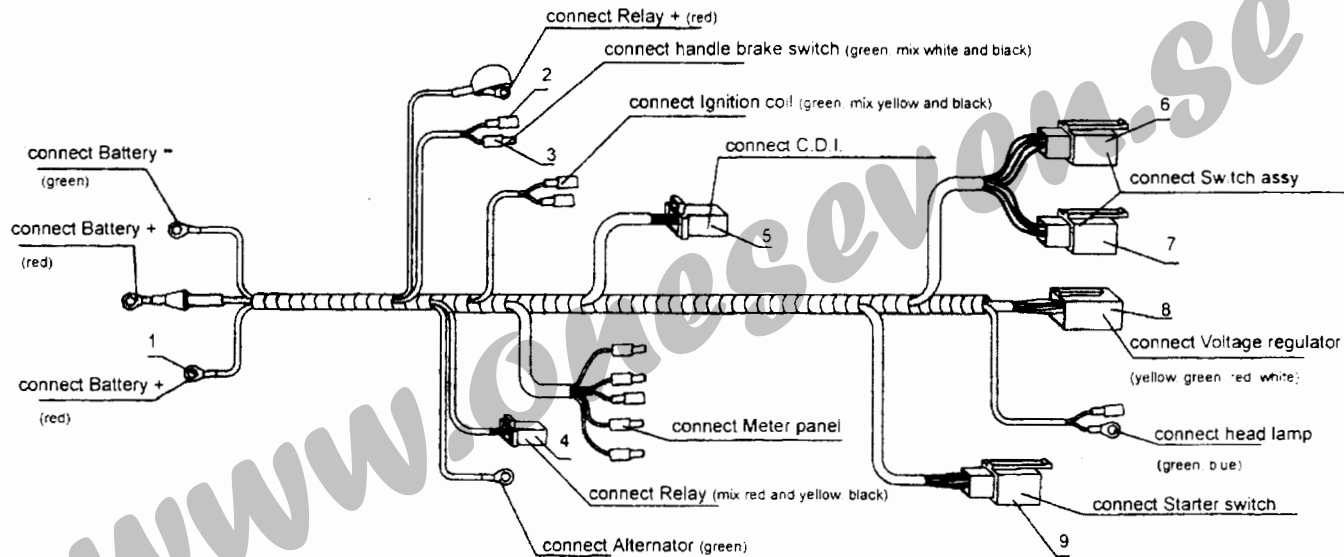
www.oneseven.se

| CARBURETOR | | | | 18. | | | |
|------------|-----------------|----------------------|------|----------|-----------------|-------------------|------|
| Part No. | | Description | Q'ty | Part No. | | Description | Q'ty |
| 1 | 17100-D002-0000 | Carburetor assy | 1 | 16 | 17199-D002-0000 | Filter strainer | 1 |
| 2 | 17156-D002-0000 | Jet needle | 1 | 17 | 171A1-D002-0000 | Vent rubber tube | 1 |
| 3 | 17154-D002-0000 | Float comp. | 1 | 18 | 17001-D002-0000 | Fuel tube | 1 |
| 4 | 17157-D002-0000 | Top cover | 1 | 19 | L3093-D002-0000 | Screw M14x18 | 1 |
| 5 | 17140-D002-0000 | Float chamber comp. | 1 | 20 | 17150-D002-0000 | Clip | 1 |
| 6 | 17113-D002-0000 | Air adjusting screw | 1 | 21 | 17118-D002-0000 | Main jet | 1 |
| 7 | 17160-D002-0000 | Throttle valve | 1 | 22 | 171A3-D002-0000 | Idle jet | 1 |
| 8 | 17111-D002-0000 | Idle adjusting screw | 1 | 23 | 17155-D002-0000 | Fuel switch comp. | 1 |
| 9 | 90171-D002-0000 | O-ring | 1 | 24 | 91193-D002-0000 | Bolt M6x8 | 1 |
| 10 | 90118-D002-0000 | O-ring | 1 | 25 | 91391-D002-0000 | Washer | 1 |
| 11 | 17196-D002-0000 | Seal, cable | 1 | | | | |
| 12 | 17197-D002-0000 | Cap | 1 | | | | |
| 13 | 17143-D002-0000 | Needle valve | 1 | | | | |
| 14 | 171A2-D002-0000 | Main nozzle | 1 | | | | |
| 15 | 91224-D002-0000 | Nut | 1 | | | | |

www.oneseven.se

139FMB-ZD(ZD50) ENGINE

www.oneseven.se



ELECTRICAL CONNECTOR HARNESS

www.oneseven.se