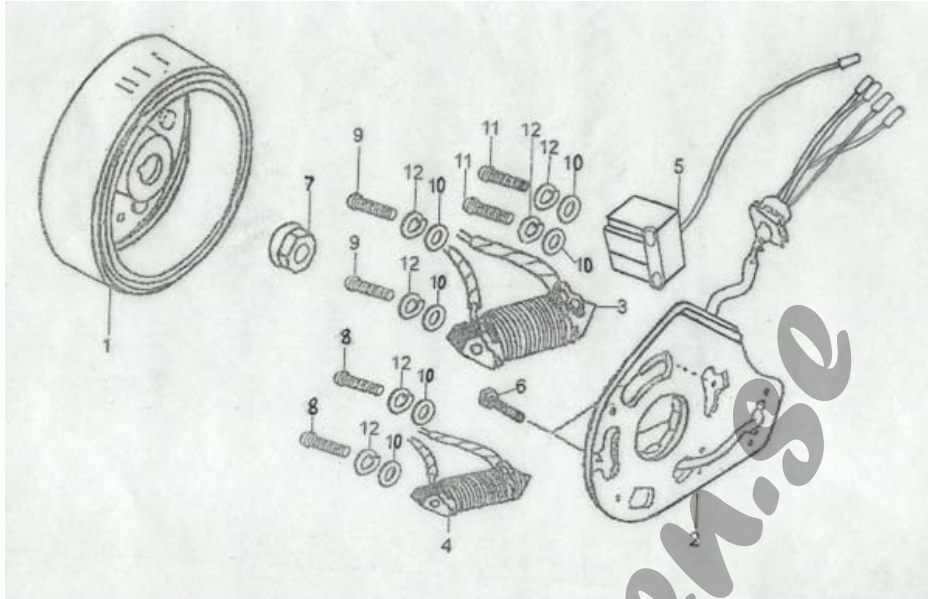
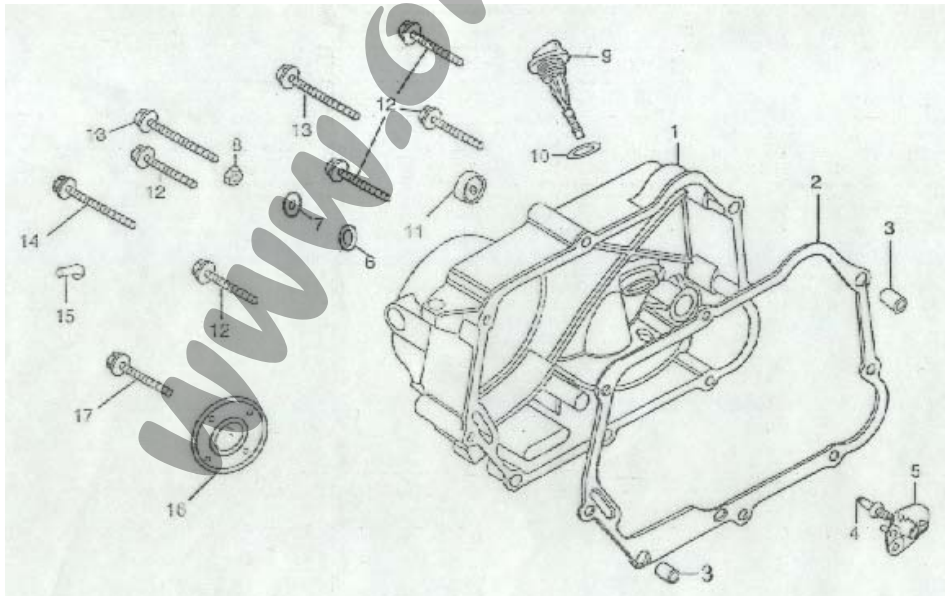


MOTORDELAR 100cc & 110cc 150FMG & 152FMH

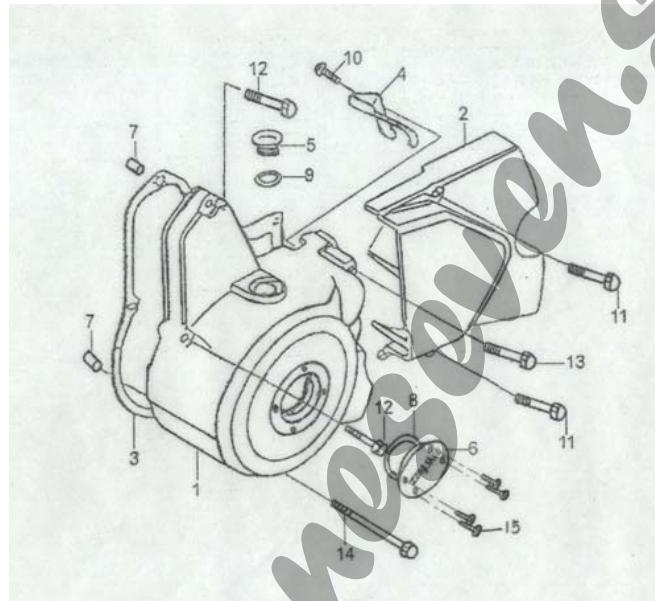


SN	Code Name	Name	Quantity	Remark
1	C100-11.1	Flywheel component	1	
2	C100-11.2	Stator component	1	
5		C.D.I.	1	
6	GB5787-86	Bolt M6x16	2	
7	70.3-12	Nut M10	1	
8	GB818-85	Screw M4x16	2	
9	GB818-85	Screw M4x16	2	
10	GB97.1-85	Washer	6	
11	GB818-85	Screw M4x16	2	
12	GB93-87	Spring washer	6	
4	(C100B-3700010)	HUB OF CYLINDER FUSE	1	

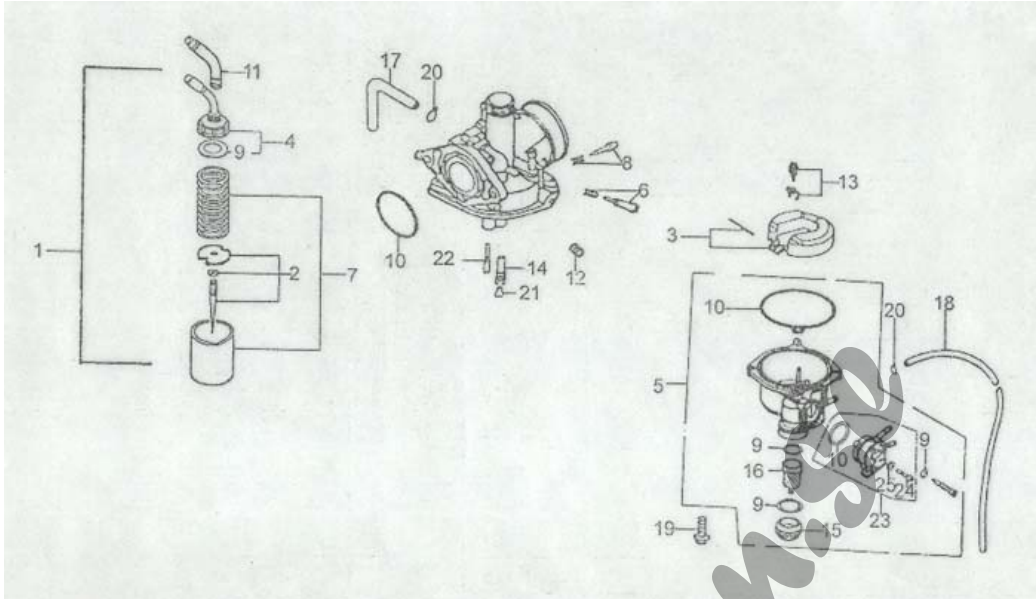


SN	Code Name	Name	Quantity	Remark
1	Z100.2-1	Right crankcase cover	1	
2	100.2-5	Right crankcase cover gasket	1	
3	70.1-31	Dowel 8x12	2	
4	90.2A-6	Clutch adjusting screw	1	
5	90.2.2A	Cam pan component	1	

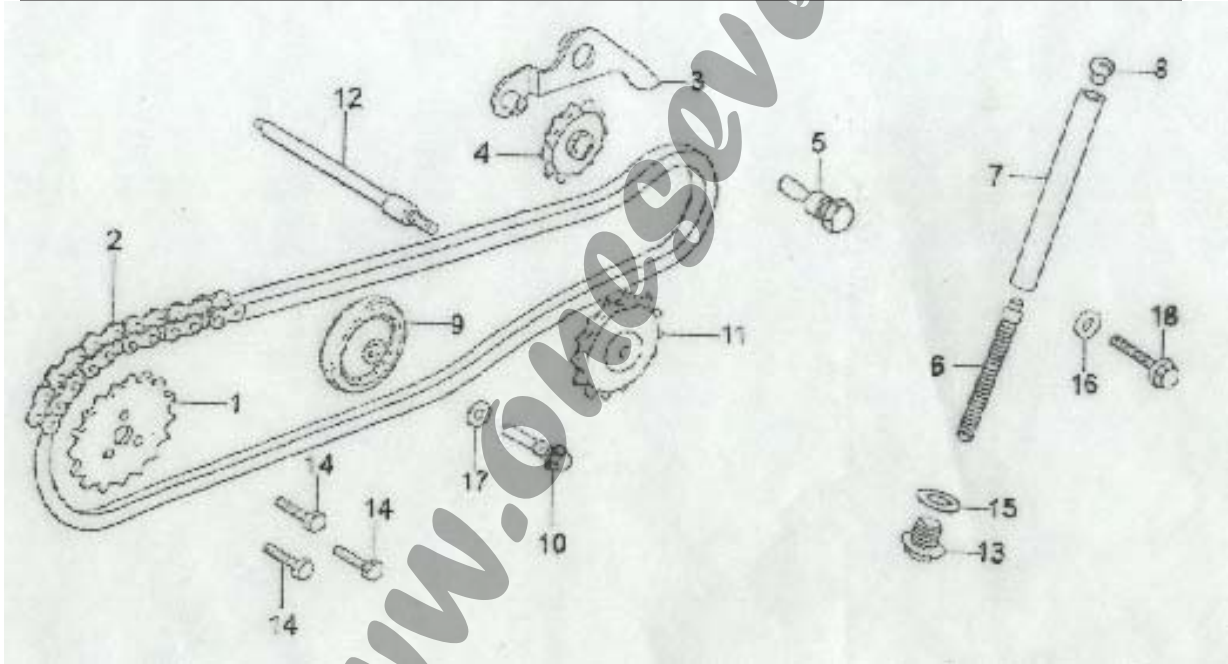
6	GB3452.1-82	O-ring 7.5x1.8	1	
7	GB95-85	Washer 8	1	
8	90.2A-7	Nut M8	1	
9	70.2-11	Oil dip rod	1	
10	70.2-12	O-ring	1	
11	70.2-14	Oil seal	1	
12	GB5787-86	Bolt 92140-06040B	5	
13	GB5787-86	Bolt 92140-06065B	2	
14	GB5787-86	Bolt 92140-06080B	1	
15	70.1-28	Clamp	1	
16	70.2-6A	Small round cover	1	
17	GB818-85	Screw M6x16	2	



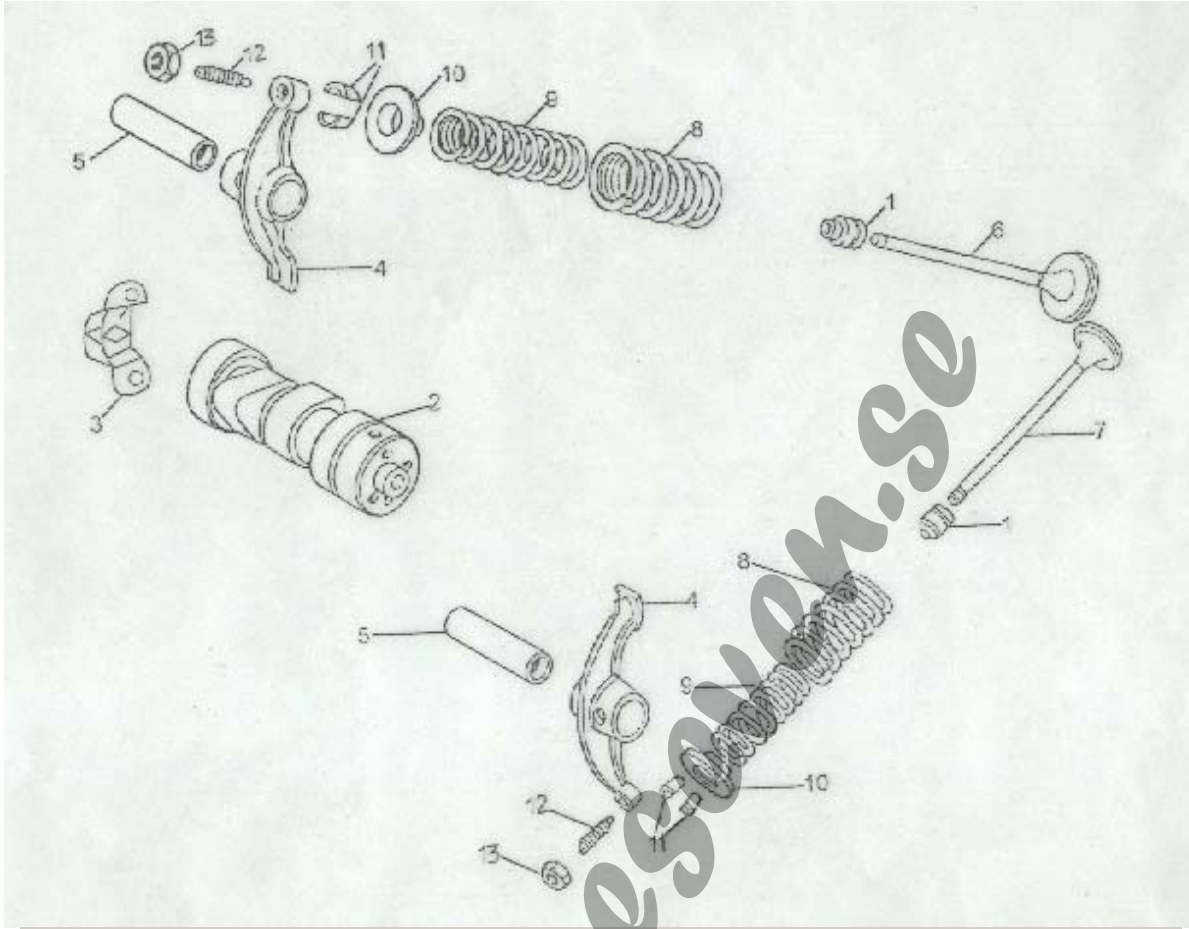
SN	Code Name	Name	Quantity	Remark
1	C100-10-1	Left crankcase front cover	1	
2	C100-10-2	Left crankcase rear cover	1	
3	C100-10-3	Left crankcase cover gasket	1	
4	C100-10-7	Cable clip - magneto	1	
5	C100-10-6	Small screw cap - magneto	1	
6	C100-10-8	Big screw cap - magneto	1	
7	70.1-31	Dowel 8x16	2	
8	C100-10-5	O-ring 27x2.0	1	
9	GB3452.1-82	O-ring 13.8x2.5	1	
10	GB5787-86	Bolt M6x16	1	
11	GB5787-86	Bolt M6x25	2	
12	GB5787-86	Bolt M6x32	2	
13	GB5787-86	Bolt M6x50	1	
14	GB5787-86	Bolt M6x70	1	
15	GB818-85	Screw M5	4	



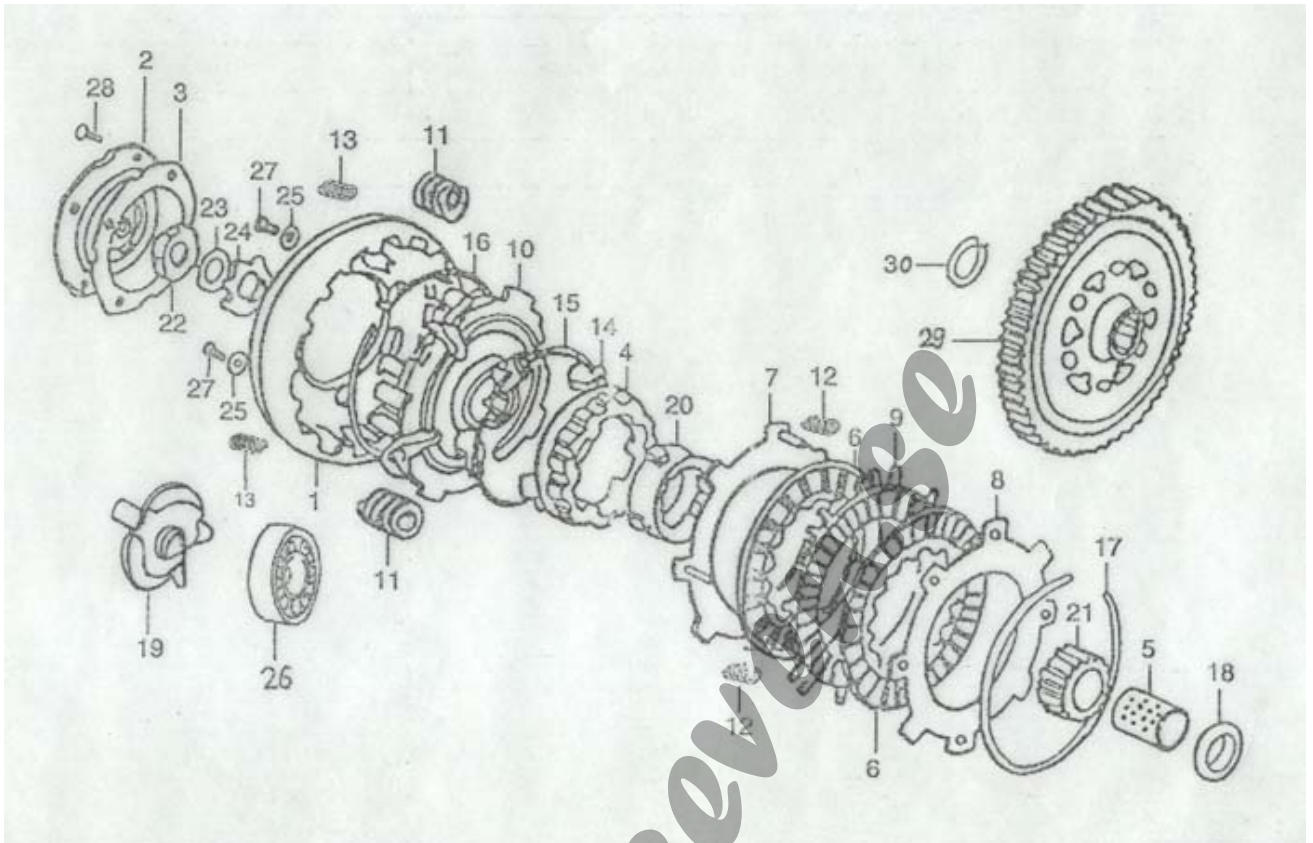
SN	Code Name	Name	Quantity	Remark
1	280000-C10	Carburetor	1	



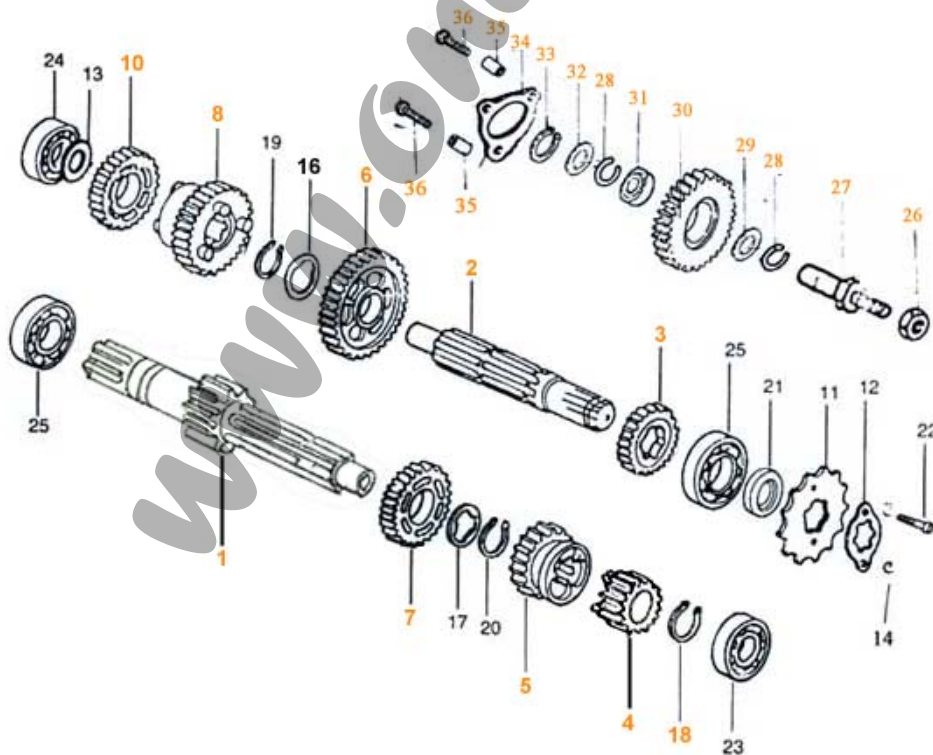
1	70.1-16	Timing drive sprocket	1	
2	GB6076-85	Chain component	1	
3	70.4-11	Chain tensioner arm set	1	
4	70.4-12	Chain tensioner set	1	
6	70.4-15	Spring - chain tensioner lever	1	
7	70.4-8	Chain tensioner lever set	1	
8	70.4-16	Cap - chain tensioner lever	1	
9	70.4-4	Chain guide wheel component	1	
10	70.4-24	Dowel pin	1	
11	70.4-6	Transimssion gear of oil pump	1	
12	70.4-8	Sprocket shaft of oil pump	1	
13	70.4-13	Seal purge M14x1.5	3	
14	GB5783-86	Bolt M6x12	1	
16	GB819-85	Washer 6	1	
17	70.1-25	Washer 8	1	
18	GB5787-86	Bolt M6x22	1	



1	70.1.2	Valve stem oil seal	2	
2	C100.1.0.9A	Cam shaft component	1	
3	C100-1.0.8	Sropper plate	1	
4	70.1-11	Valve lifter	2	
5	70.1-12	Valve lifter lever	2	
6	70.1-13	Intake valve	1	
7	70.1-14	Exhaust valve	1	
8	70.1-16	Valve outer spring	2	
9	70.1-17	Valve inner spring	2	
10	70.1-18	Valve spring seat	2	
11	70.1-19	Valve key	4	
12	70.1-10	Valve clearance adjusting screw	2	
13	70.1-9	Valve clearance adjusting nut	2	
5	70.4-25	N	1	
15	70.4-14	Washer 14	1	

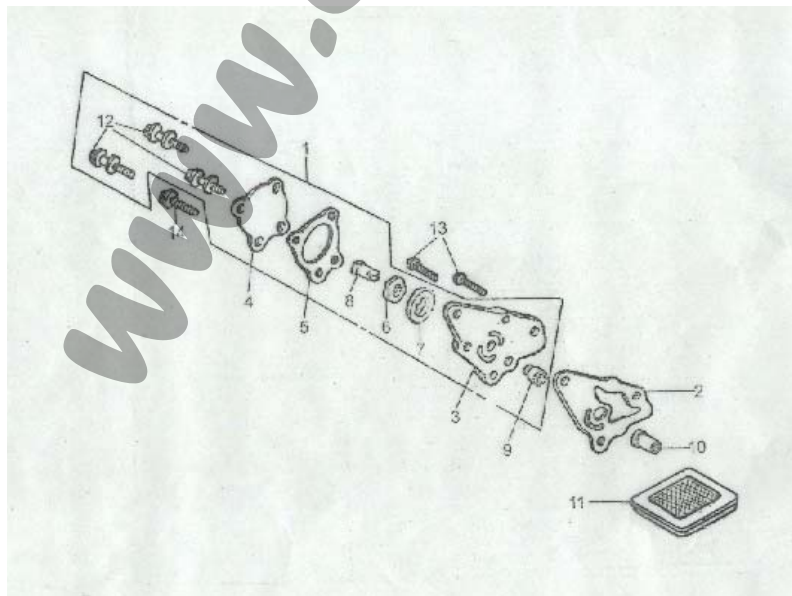


C32A	Clutch component, complete PANDA 110 Växellåda	1	
------	---	---	--



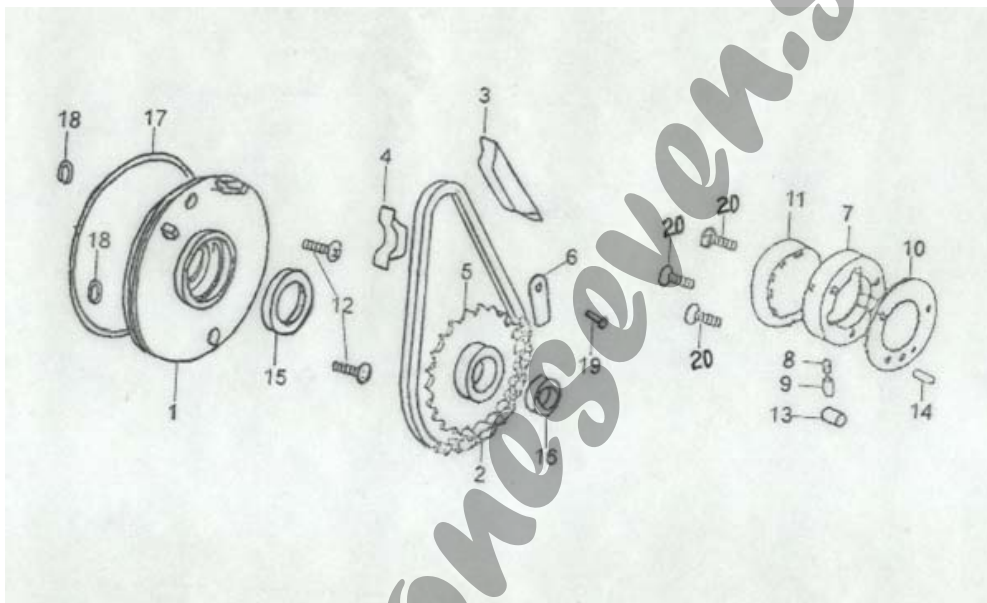
SN	Code Name	Name	Quantity	Remark
1	23224-DS002-0000	Transmission main shaft 11T	1	

2	23238-DS002-0000	Transmission counter shaft	1		
3	23231-DS002-0000	Reverse gear 31T	1		
4	23224-DS002-0000	Main shaft reverse gear 12T	1		
5	23221-DS002-0000	Main shaft 2nd gear 17T	1		
6	23403-DS002-0000	Countershaft 2nd gear 30T	1		
7	23222-DS002-0000	Main shaft 3rd gear 23T	1		
8	23233-DS002-0000	Countershaft 3rd gear 24T	1		
10	23234-DS002-0000	Countershaft 1st gear 35T	1		
11	23401-D002-0000	Drive sprocket	1		
12	23402-D002-0000	Fixing plate	1		
13	91328-D002-0000	Thrust washer 14	1		
14	Q0006-0000-0000	Spring washer	2		
16	91329-D002-0000	Spline washer 20	1		
17	91327-D002-0000	Spline washer 17	1		
18	D2005-D002-0000	Circlip 12	1		
19	D2011-0000-0000	Circlip 20	1		
20	D2008-0000-0000	Circlip 17	1		
21	90303-D002-0000	Oil seal 17x29x5	1		
22	90305-D002-0000	Bolt M6x8	2		
23	Z0226-0000-0000	Needle bearing 7941/14	1		
24	Z0160-0000-0000	Needle bearing 7941/13.5	1		
25	Z0162-0000-0000	Bearing 6203	2		
26	M6008-0000-0000	Nut M8	1		
27	23246-D002-0000	Reverse middle shaft	1		
28	D2017-0000-0000	Circlip 26	2		
29	91328-D002-0000	Thrust washer	1		
30	23241-D002-0000	Reverse middle gear 20T	1		
31	Z0160-0000-0000	Bearing 6000	1		
32	91328-D002-0000	Thrust washer	1		
33	D2001-0000-0000	Circlip 10	1		
34	23401-D002-0000	Locating plate	1		
35	24428-D002-0000	Locating pin	2		
36	S3030-0000-0000	Bolt M6x20	2		

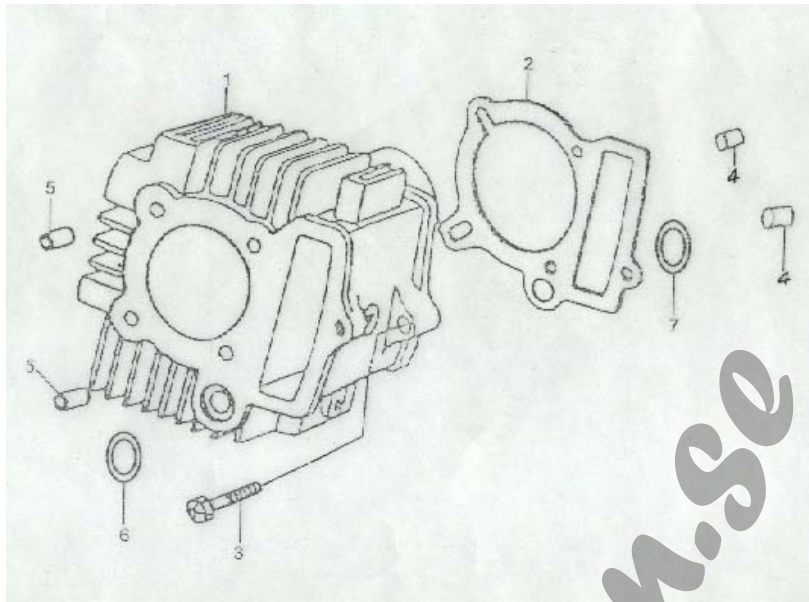


SN	Code Name	Name	Quantity	Remark
1	70.4-7	Oil pump	1	
2	70.4-10	Gasket - oil pump body	1	

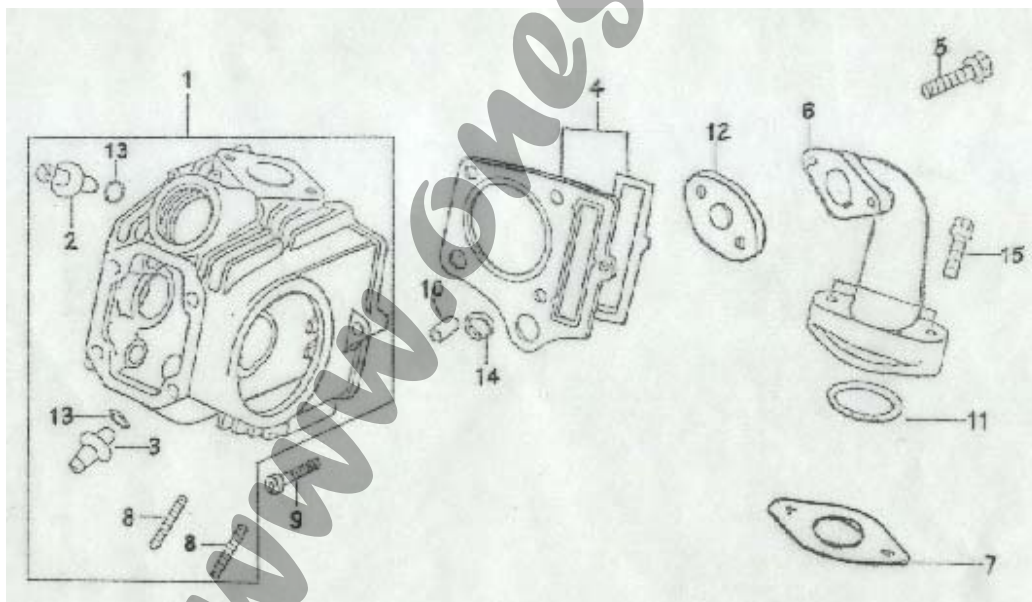
3	70.4.7-1	Oil pump body	1	
4	70.4.7-4	Oil pump cover	1	
5	70.4.7-5	Gasket - oil pump cover	1	
6	70.4.7-6	Oil pump inner rotor	1	
7	70.4.7-7	Oil pump outer rotor	1	
8	70.4.7-3	Oil pump shaft	1	
9	70.4.7-2	Sleeve bush - oil pump	1	
10	70.4-9	Sleeve bush - oil pump sprocket	1	
11	70.4-5	Element compoment	1	
12	GB823-88	Screw M4x10	1	
13	GB823-89	Screw M6x16	1	
14	GB823-90	Screw M6x22	1	



SN	Code Name	Name	Quantity	Remark
2	GB6076-85	Starting chain	1	
3	C100-12.0.4	Chain guide plate	1	
4	C100-12.0.3	Chain protecting nylon mounting	1	
5	C100-12.0.2A	Starting gear component	1	
6	C100-12-10	Dowel plate	1	
7	C100-12.0.1-1	Starting clutch cover	1	
8	C100-12-1	Spring	1	
9	C100-12.0.1-3	Thrust pin	1	
10	C100-12-6	Gasket	1	
11	C100-12.0.1-2	Cover	1	
12	GB819-85	Screw M6x16	2	
13	GB4661-89	Rollar pin 10x10	3	
14	GB119-86	Dowel pin 5x11.8	1	
15	C100-12-4	Oil seal 30x42x4.5	1	
16	C100-12-7	Oil seal 19x30x5	1	
17	C100-12-5	O-ring	1	
18	GB3452.1-82	O-ring	2	
19	GB5787-86	Bolt M6x20	1	
20	GB70-85	Screw M6x16	3	
56	C100B-8301007	Seal washer	2	

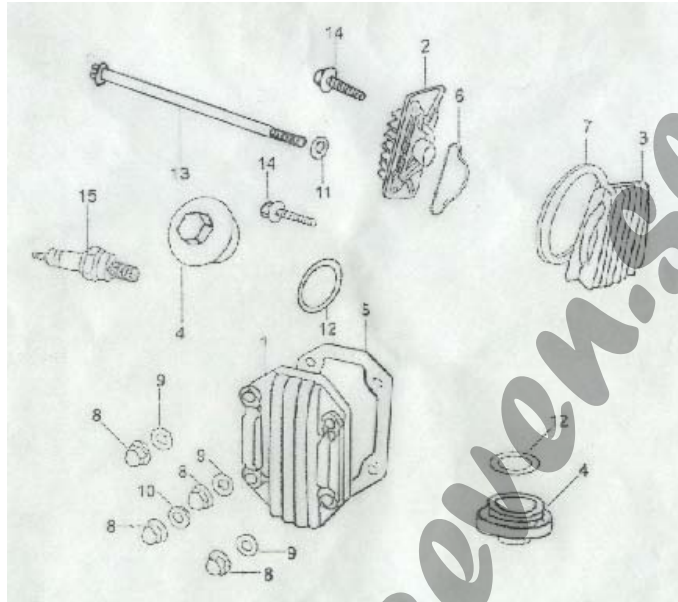


SN	Code Name	Name	Quantity	Remark
1	C100-5-1	Cylinder block component	1	
2	C100-5.0.1	Cylinder block gasket	1	
3	70.1-30	Screw M6x23	1	
4	70.1-31	Dowel pin 8x12	2	
5	C100-5-4	Dowel pin 8x14	2	
6	70.1-26	Seal ring 14x18.2x2	1	
7	70.1-29	Seal ring 11.5x16x2	1	

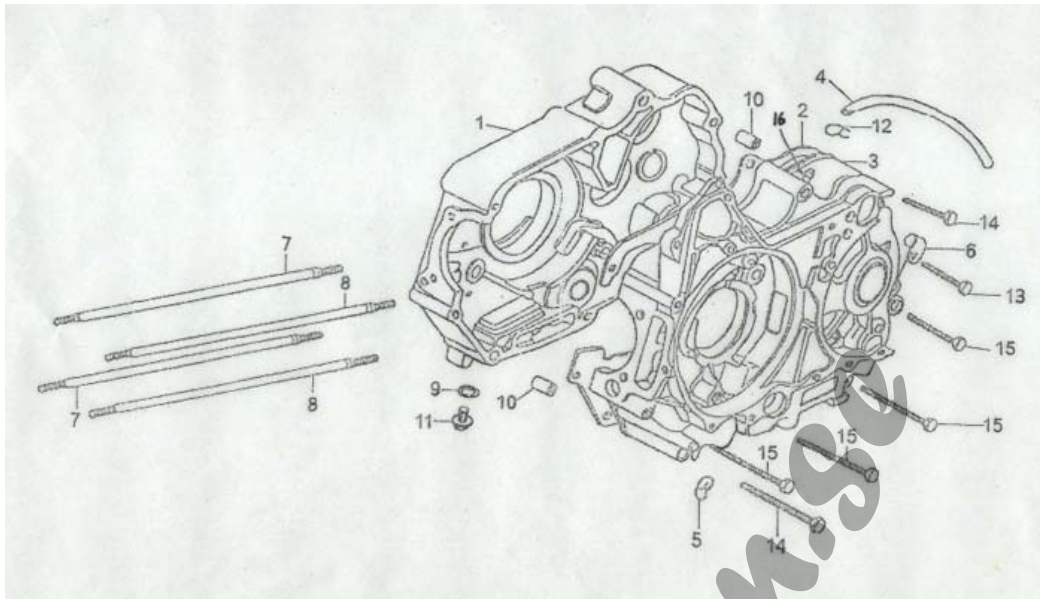


SN	Code Name	Name	Quantity	Remark
1	C100-1.0.1	Cylinder head component	1	
2	C100-1.0.1-5	Intake valve guide	1	
3	C100-1.0.1-2	Exhaust valve guide	1	
4	C100-1.0.3A	Cylinder head gasket	1	
5	GB5787-86	Bolt M6x22	2	
6	C100-1-9	Intake valve pipe	1	
7	C100-1.0.6	Insulator board	1	
8	70.1.5-4	Stud bolt M6x32	2	
9	70.1-30	Screw M6x23	1	
10	C100-1-28	Sleeve 9.5	1	

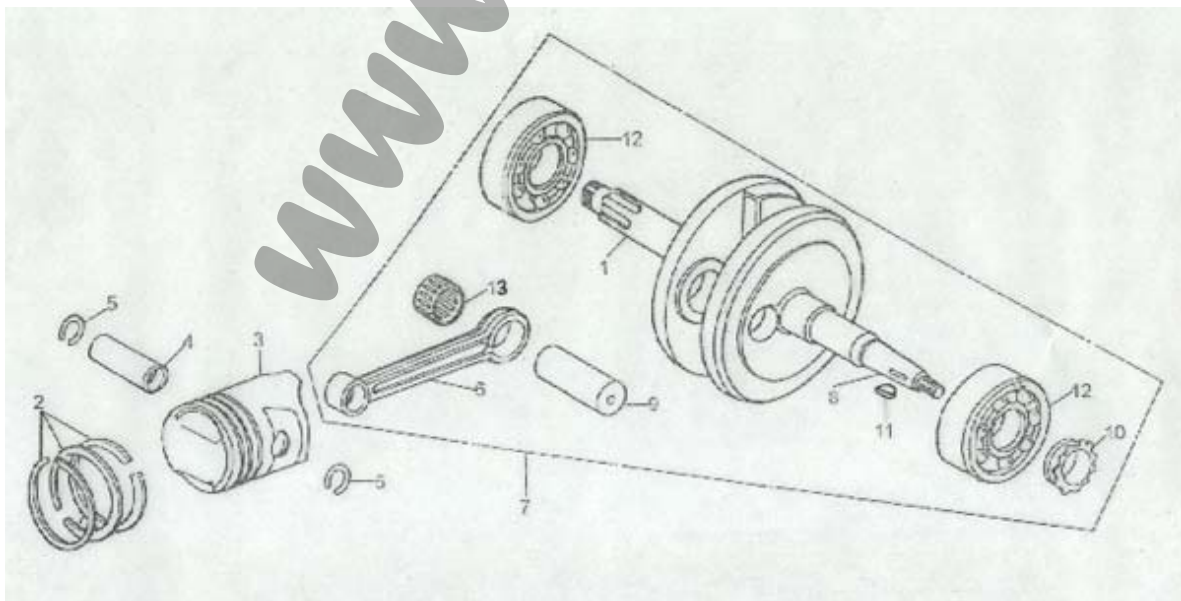
11	GB3452.1-82	O-ring 27x2.0	1	
12	70.1-6	Seal gasket	1	
13	70.1-34	O-ring 9x1.6	2	
14	70.1-26	Seal ring 9x1.35	1	
15	GB5787-86	Bolt M6x28	2	



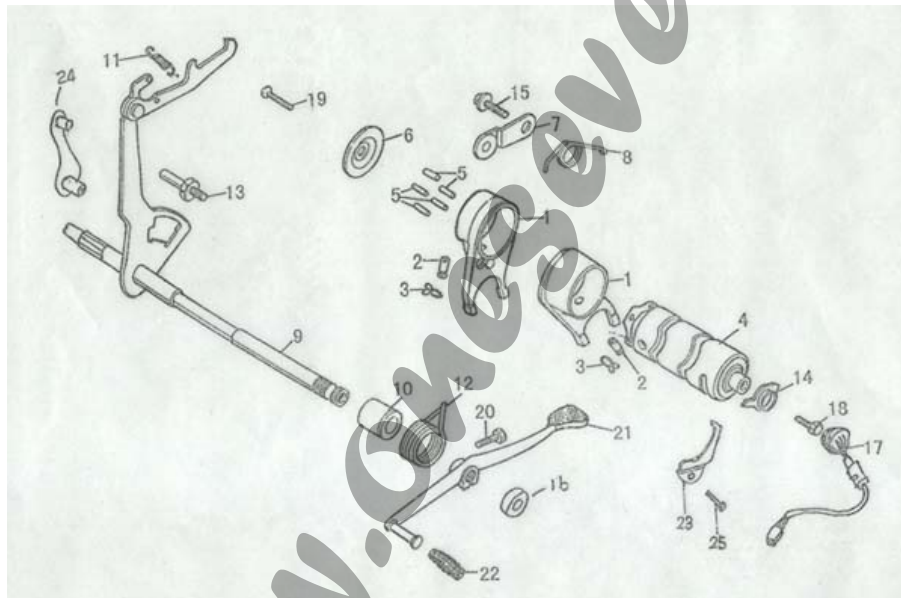
SN	Code Name	Name	Quantity	Remark
1	C100-1-17	Cylinder head top cover	1	
2	C100-1-26A	Cylinder head right cover	1	
3	C100-1-19A	Cylinder head left cover	1	
5	C100-1-18	Cylinder head top cover packing	2	
6	70.1-35	Cylinder head right cover packing	1	
7	70.1-21	Cylinder head left cover packing	1	
8	C100--1-16	Nut M7	4	
9	C100-1-23	Washer A7	3	
10	C100-1-15	Washer 7	1	
11	70.1-16	Washer	1	
12	GB3452.1-82	O-seal 31,5x3.55	2	
13	GB5787-86	Bolt M6x110	1	
14	GB5787-86	Bolt M6x20	2	
15	C100-1.0.2	Spark plug 1137	1	
23		Bolt M3x5	2	
8	GB5787-86	Bolt M6x16	2	
100	18	20	22	



SN	Code Name	Name	Quantity	Remark
1	C100-2-6	Right crankcase component	1	
2	70.4-1	Gasket	1	
3	C100-2-4	Left crankcase component	1	
4	70.4-23	Valve pipe	1	
5	70.4-28	Clip	1	
6	70.4-20	Clip	1	
7	C100-2-1	Bolt A	2	
8	C100-2-2	Bolt B	2	
9	70.4-12	Gasket 12	1	
10	70.4-18	Dowel 10x14	2	
11	70.4-11	Purge cock M12x1.5	1	
12	JB3614-84	Clamp	1	
12	JB3614-84	Clamp	1	
13	GB5787-86	Bolt M6x45	1	
14	GB5787-86	Bolt M6x60	2	
15	GB5787-86	Bolt M6x45	4	
16	70.4-29	Damp bleeder bolt	1	
2	C100-3-4	1th of piston ring	1	



1	100.3	Crankshaft connecting rod component	1	
2	C100-3	Piston ring component	1	
2	C100-3-5	2nd. of piston ring	1	
2	C100-3-6	3rd. Of piston ring	1	
3	C100-3-1	Piston	1	
4	70.3-5	Piston pin	1	
5	70.3-4	Piston pin clip	2	
5	70.3-4	Piston pin clip	2	
6	C100-3.1-2	Connecting rod	1	
7	90.3-3	Right crank component	1	
8	90.3-1	Left crank web component	1	
9	C100-3.1-1	Crank pin	1	
9	C100-3.1-1	Crank pin	1	
10	70.3-3	Transmission gear	1	
11	70.3-1	Woodruff key	2	
12	GB276-89	Bearing D304	2	
12	GB276-89	Bearing D304	2	
13	GB5846-86	Needle bearing KS253013	1	



SN	Code Name	Name	Quantity	Remark
1	70.6.4-4	Gearshift fork	2	
2	70.6.4-1	Guide pin	2	
3	70.6.4-3	Gearshift drum	2	
4	70.6.4	Transmission drum	1	
5	70.6.4	Dowel pin	5	
7	70.4.4	Stopper plate component	1	
8	70.4-3	Return spring of stopper plate	1	
9	90.6.5.1.1A	Gearshift shaft component	1	
10	90.6.5A	Gearshift lever component	1	
11	90.6.5A-2	Gearshift lever tension spring	1	
12	70.6.5-2	Gearshift lever return spring	1	
13	70.4-4	Return spring, Fixing bolt	1	
14	C100-14-39	Gearshift switch fixing plate	1	
15	GB5783-86	Bolt M6x16	1	
16	70.4.9	Oil seal 11.6x24x10	1	
17	CX100-11.3A	Gearshift switch component	1	
18	GB70-85	Bolt M6x16	1	
19	GB820-85	Screw M6x20	1	

20	GB5783-86	Bolt M6x20	1	
21	70.8-1	Gearshift pedal	1	
22	70.8-2	Rubber pedal of gearshift	1	
23	C100-14-35	Gearshift switch pressing plate	1	
24	90.6.5.1.2A	Clutch operation arm component	1	
25	GB819-85	Screw M6x12	1	

www.oneseven.se