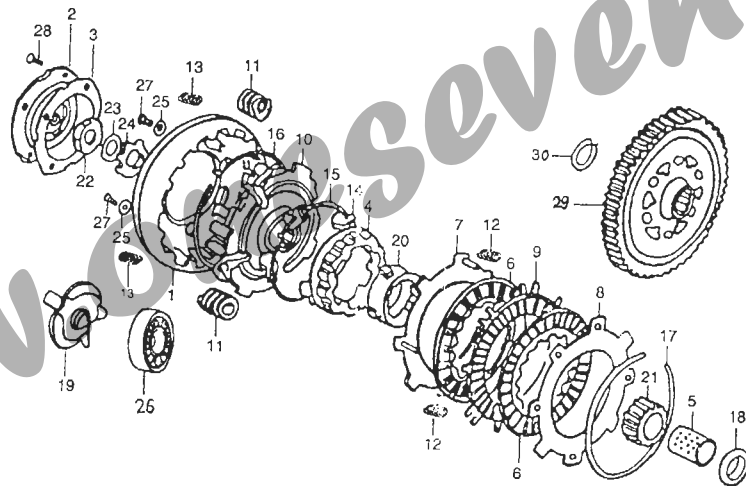


www.oneseven.se

# PARTS EXPLORED VIEW



www.oneseven.se

## MEERKAT50-4A

**CONTENTS**

CHASSIS.....1

STEERING PARTS..... 2

FENDERS.....3

AIR CLEANER, GAS TANK..... 4

FRONT BRAKE, FRONT WHEEL..... 5

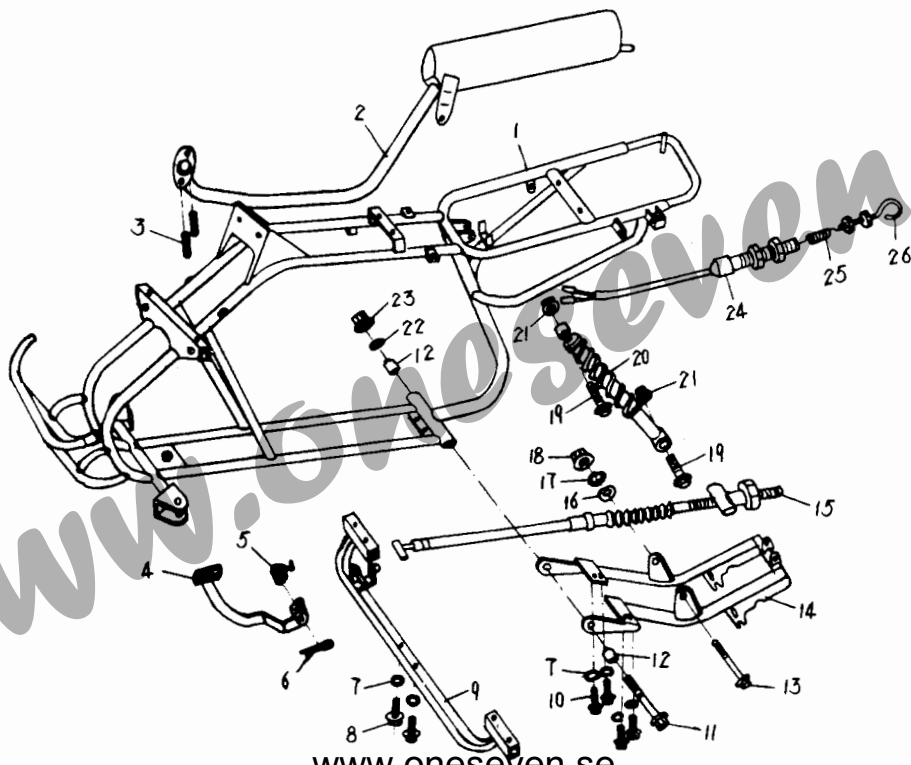
REAR BRAKE, REAR AXLE..... 6

REAR WHEEL.....8

HANDLE BAR..... 9

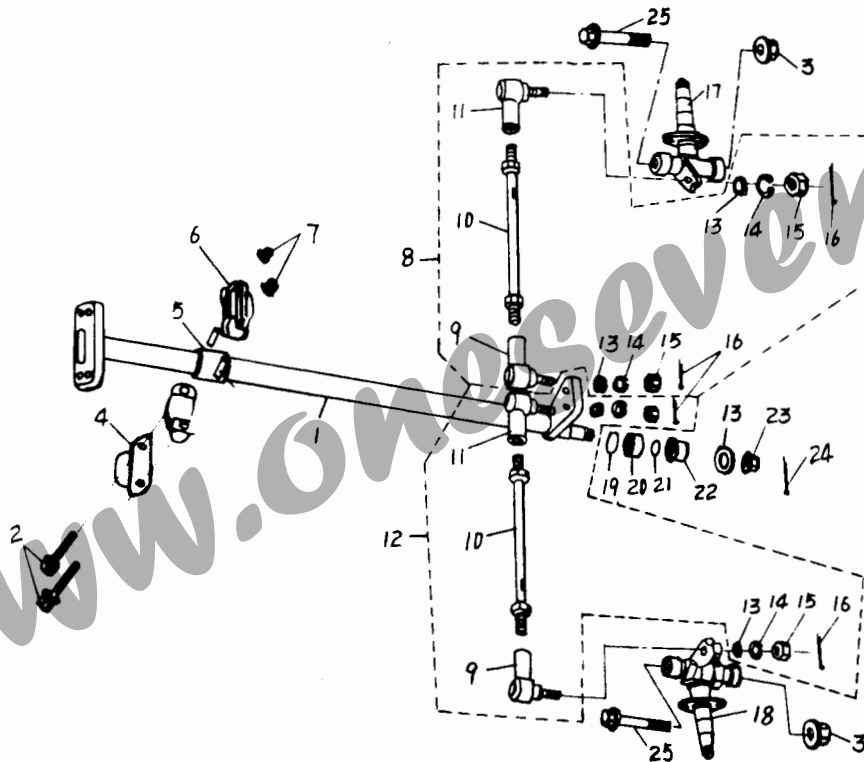
BATTERY.....10

ELECTRICAL CONNECTOR HARDNESS..... 11

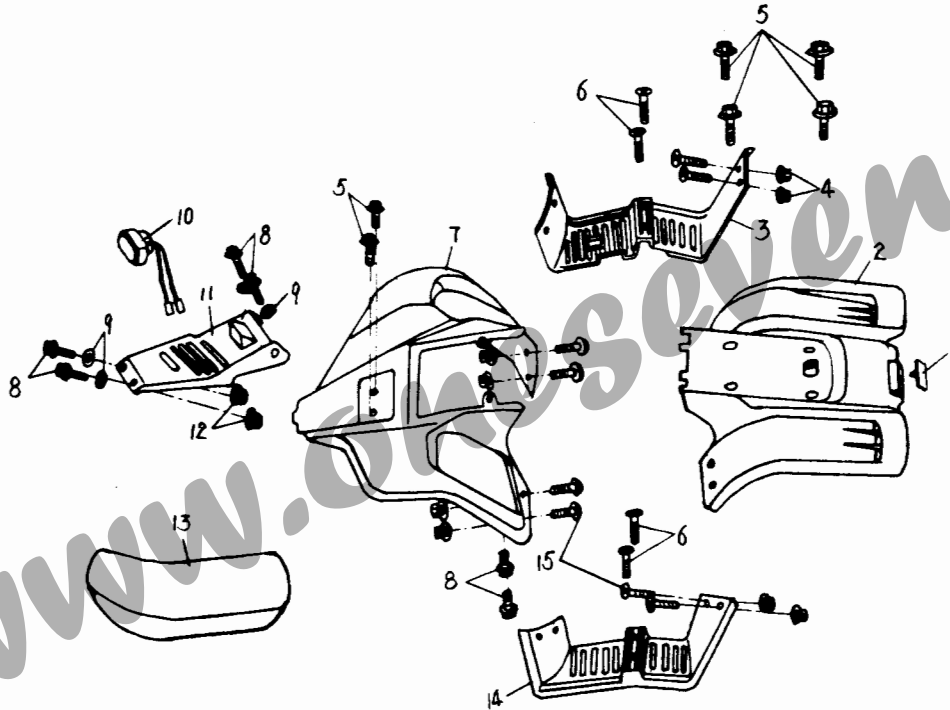


CHASSIS

CHASSIS								1.
Part No.		Description	Q'ty	Part No.		Description	Q'ty	
1	C50-2801000	Frame comp.	1	16	GB97.1-85	Plain washer $\phi$ 8	1	
2	C50-1200000	Exhaust pipe assy	1	17	GB93-87	Spring washer $\phi$ 8	1	
3		Nut M6xS10xm26	2	18	GB6177-86	Bolt M8x1.25	1	
4	C50-2823000	Foot pedal kit	1	19	GB5787-86	Bolt M10x1.25x37	2	
5	C50-3503001	Torsion spring	1	20	STNJZ018-0000	Rear cushion	1	
6	GB91-86	Split pin $\phi$ 2x40	1	21	GB6177-86	Nut M10x1.25	2	
7	GB93-87	Spring washer $\phi$ 8	6	22	GB97.1-85	Plain washer $\phi$ 10	1	
8	GB5787-86	Bolt M8x1.25x35	2	23	GB5787-86	Bolt M10x1.25	1	
9	C50-2812000	Foot pedal main bracket	1	24	C250-3720110	Handle parking brake switch	1	
10	GB5787-86	Bolt M8x1.25x20	4	25	C50-3704002	Tension spring of handle switch	1	
11	GB5787-86	Bolt M10x1.25x115	1	26	C50-3704001	Parking brake switch set	1	
12	C100-2901107	Cushion bush 10x28x22	2					
13	GB5787-86	Bolt M18x1.25x115	2					
14	C50-2911000	Bracket comp.	2					
15	C50-3504500	Rear brake cable						



STEERING PARTS								2.
Part No.		Description	Q'ty	Part No.		Description	Q'ty	
1	C50-3400100	Steering shaft assy	1	16	C100-3303101	Cotter pin	4	
2	GB5787-85	Bolt M8x55	2	17	C50-2304200	Right steering knuckle pin	1	
3	C50-2304104	Lock nut M10x1.25	2	18	C50-2304100	Left steering knuckle pin	1	
4	C100-3780000	Clamp	1	19	C50-3400104	Circlip	1	
5	C100-1200205	PU bushing	1	20	C50-3400105	Dust cover	1	
6	C100-1200004	Fixing seat	2	21	C50-3400103	O-ring $\varnothing 14 \times 2.56$	1	
7	GB6177-86	Nut M8	1	22	C100-2801033	Sleeve bush	1	
8	C50-3303100	Right steering link assy	1	23	C50-3400101	Nut M10x1.25	1	
9		Ball joint ( R )	2	24	GB91-86	Cotter pin	1	
10	C50-3303205	Tension rod	2	25	C50-2304106	Bolt M10x1.25x106	2	
11		Ball joint ( L )	2					
12	C50-3303200	Left steering link assy	1					
13	C100-3303104	Plain washer $\varnothing 10$	4					
14	C100-3303103	Washer $\varnothing 10$	4					
15	C100-3303102	Nut M10x1.25						



## FENDERS

3.

	Part No.	Description	Q'ty		Part No.	Description	Q'ty
1	C100B-3803000	Democrative reflecting board	1				
2	C50-8301005	Rear fender	1				
3	C50-8301004	Rubber pedal RH	1				
4	GB6177-86	Nut M5	8				
5	GB5787-86	Bolt M8x16	6				
6	GB819-85	Bolt M6x9	4				
7	C50-8301001	Front fender	1				
8	GB5787-86	Bolt M6x12	6				
9	GB97.1-85	Plain washer Ø6	4				
10	C50-3711000	Head light unit assy	1				
11	C50-8301101	Front panel	1				
12	GB6177-86	Nut M6	2				
13	C50-6800100	Main seat assy	1				
14	C50-8301003	Rubber pedal LH	1				
15	GB818-85	Screw M5x15	8				

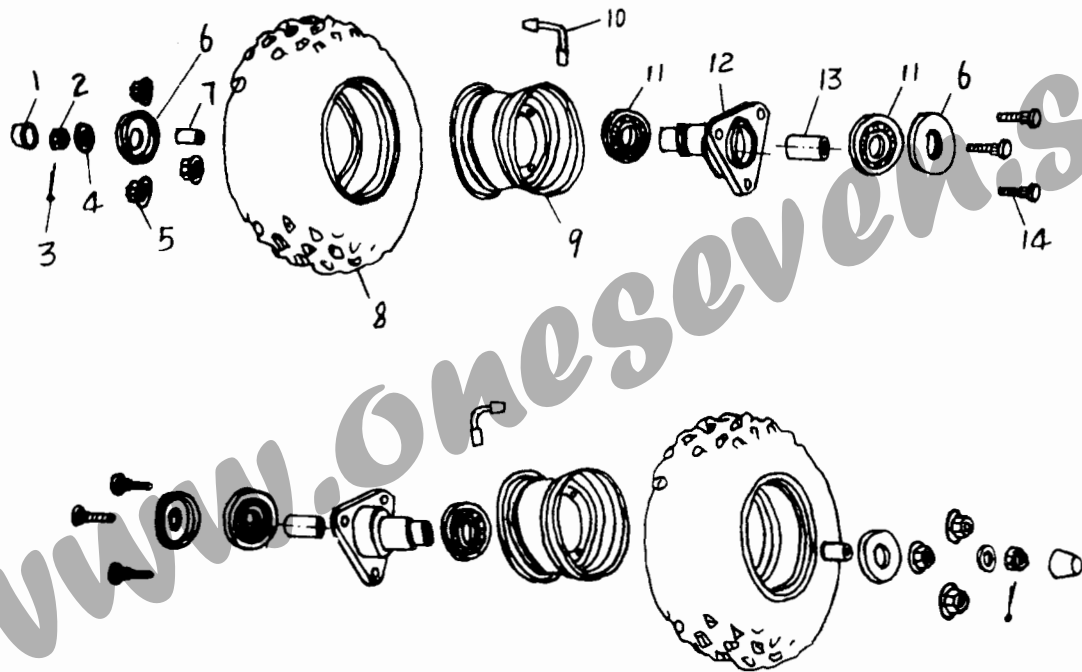




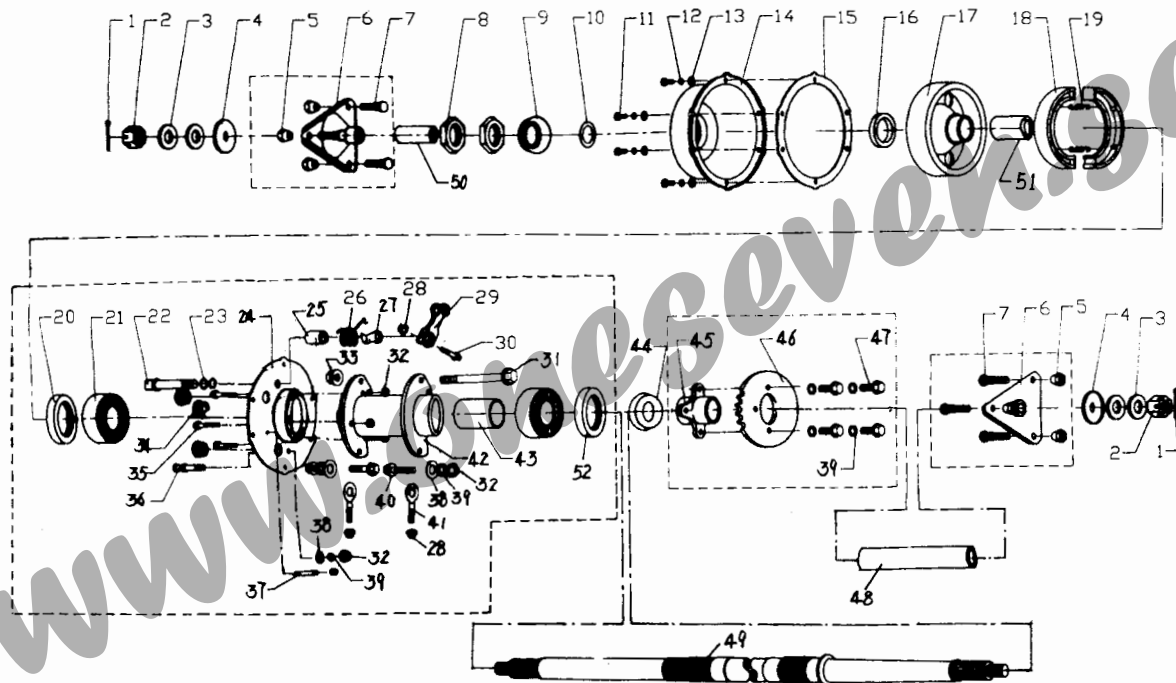
## AIR CLEANER, GAS TANK

4.

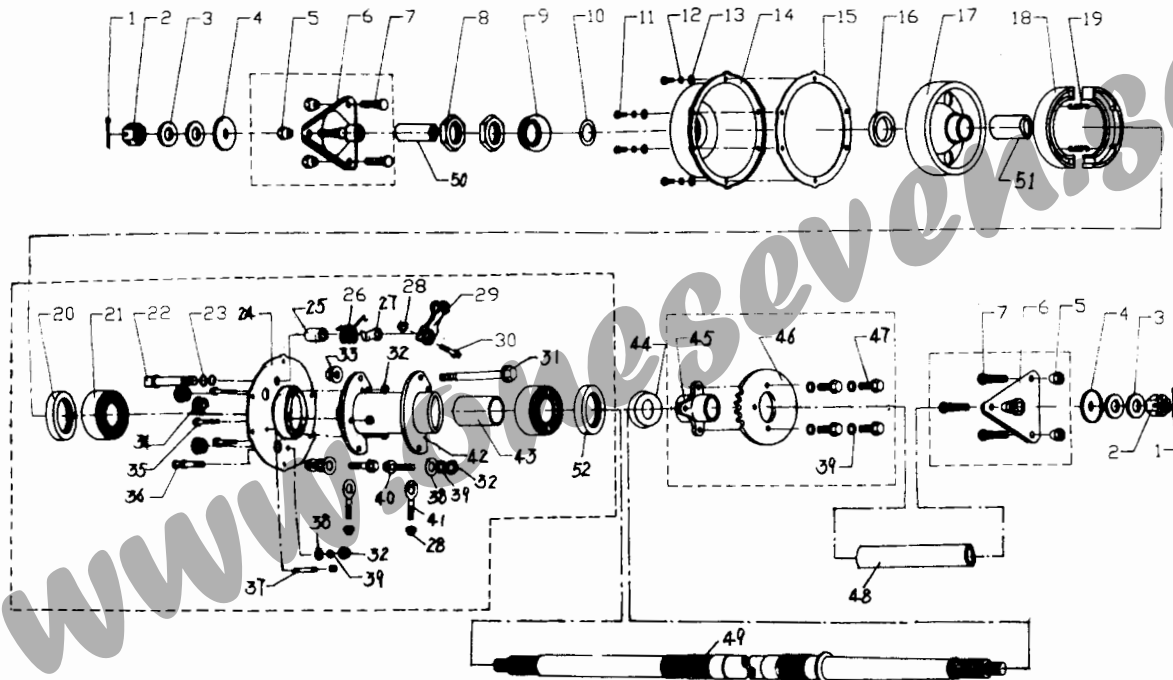
Part No.	Description	Q'ty	Part No.	Description	Q'ty		
1	C50-1101020	Fuel tank	1	16	GB97.1-85	Plain washer $\varnothing 20 \times \varnothing 25 \times 0.5$	1
2	C100-1101208	Air pipe $\varnothing 4 \times \varnothing 8 \times 320$	1	17		Wave washer $\varnothing 20 \times \varnothing 25 \times 0.5$	1
3	C50-1101030	Fuel tank cover comp.	1	18		Lock plate	1
4	C100B-1101002	Clip	3	19		Bolt M3x5	2
5	GB5787-86	Bolt M6x25	2	20	GB5787-86	Bolt M6x12	4
6	GB97.1-85	Plain washer $\varnothing 6 \times \varnothing 17 \times 1.5$	4	21	C50-1101001	Washer $\varnothing 6 \times \varnothing 12 \times 1$	2
7	GB97.1-85	Plain washer $\varnothing 12 \times \varnothing 24 \times 1$	2	22	420001-70	Fuel pipe	1
8	C50-1309002	Rubber gasket(2)- fuel tank	4	23	GB815-85	Screw M5x22	1
9	C50-1309003	Rubber cover (2) - fuel tank	2	24	C100B-1700002	Inlet pipe clip	1
10	C50-1309001	Rubber gasket (1) - fuel tank	2	25	GB6172-86	Nut M5	2
11	GB5787-86	Bolt M6x20	1	26	C50-1109001	Inlet pipe	1
12	C50-1101010	Fuel switch	1	27	C50-1109000	Air cleaner block	1
13		Fuel switch seat	1	28	GB819-85	Screw M4x25	1
14		Seal gasket	1				
15		Fuel switch arm					



FRONT BRAKE, FRONT WHEEL				5.		
Part No.	Description	Q'ty	Part No.	Description	Q'ty	
1	C50-2400135	Dust cover	2			
2	C100-2304102	Slotted nut M14x1.5	2			
3	C100-2304101	Split pin $\phi 3 \times \phi 35$	2			
4	C100-2304103	Plain washer $\phi 14 \times \phi 27 \times 1.5$	2			
5	C50-3100014	Wheel nut M10x1.25	6			
6	C50-3100011	Oil seal $\phi 19 \times \phi 32 \times 5$	4			
7	C50-3100017	Sleeve bush(2) $\phi 15.3 \times \phi 20 \times 6.3$	2			
8	C50-3101101	Tyre 145/70-6	2			
9	C50-3101010	Wheel rim	2			
10	C50-3101020	Air pipe	2			
11	C50-3100016	Front wheel bearing 6002Z	4			
12	C50-3100020	Front wheel hub	2			
13	C50-3100015	Sleeve bush (1) $\phi 15.5 \times \phi 20 \times 40$	2			
14	C50-3100013	Wheel bolt	6			

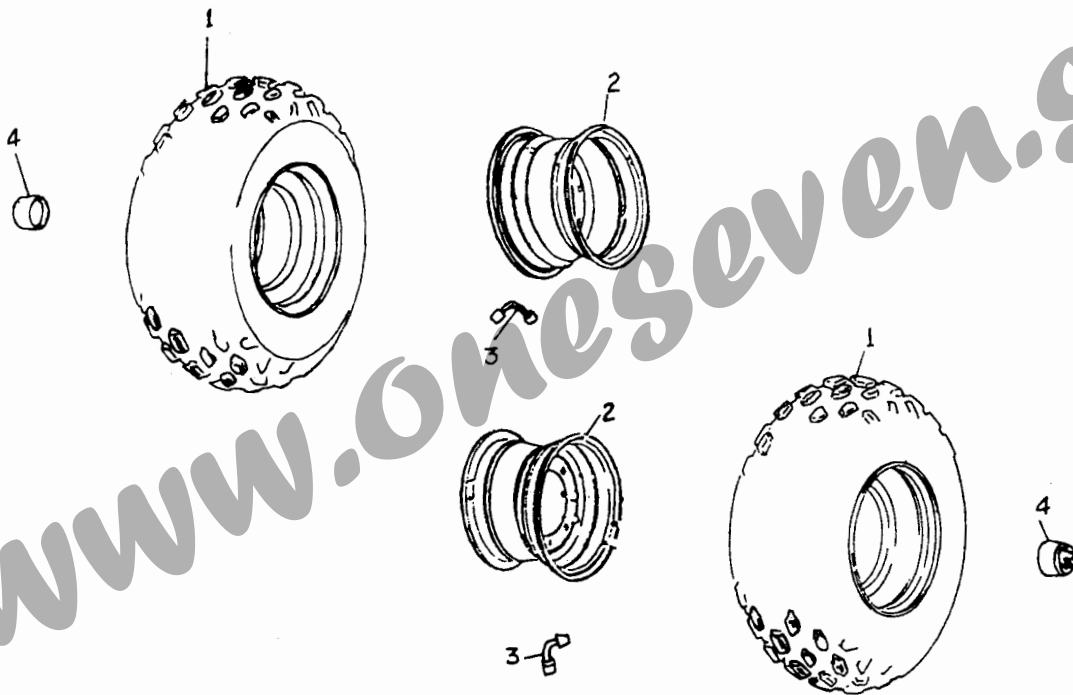


REAR BRAKE, REAR AXLE								6.
Part No.		Description	Q'ty	Part No.		Description	Q'ty	
1	C50-2400101	Cotter pin $\phi$ 3.5X45	2	16	C100-2401007	Oil seal	1	
2	C50-2400102	Split nut M16x1.5	2	17	C100B-2401001	Brake drum	1	
3	C50-2400103	Plain washer	2	18	C100-2401060	Rear brake shoe assy	1	
4	C50-2400104	Rear axle dust cover	2	19	C100-2401064	Rear brake shoe tension spring	2	
5	C50-2400142	Wheel nut M10x1.25	6	20	C50-2400111	Oil seal	2	
6	C50-2400140	Rear wheel hub	2	21	C50-2400112	Bearing $\phi$ 25x $\phi$ 42x9	2	
7	C50-2400143	Wheel bolt M10x1.25x25	6	22	C100-2400138	Rear brake camshaft	1	
8	C50-2400115	Dowel nut M22X1.5	2	23	C100-2401047	O-ring	2	
9	C100-2401006	Dust cover	1	24	C50-2400160	Body block	1	
10	C100-2401053	Adjusting washer	1	25	C100-2401045	Camshaft sleeve	1	
11	C100-2401039	Bolt M6x12	6	26	C100B-2401004	Torsion spring	1	
12	C100B-2401005	Washer $\phi$ 6	6	27	C1002401044	Stopper	1	
13	C100-2401041	Plain washer $\phi$ 6.4x1	6	28	C100-2401037	Nut M6	1	
14	C100-2401008	Brake drum cover	1	29	C100-2401035	Rear brake arm	1	
15	C100-2401012	Gasket	1	30	C100-2401036	Bolt M6x30	1	



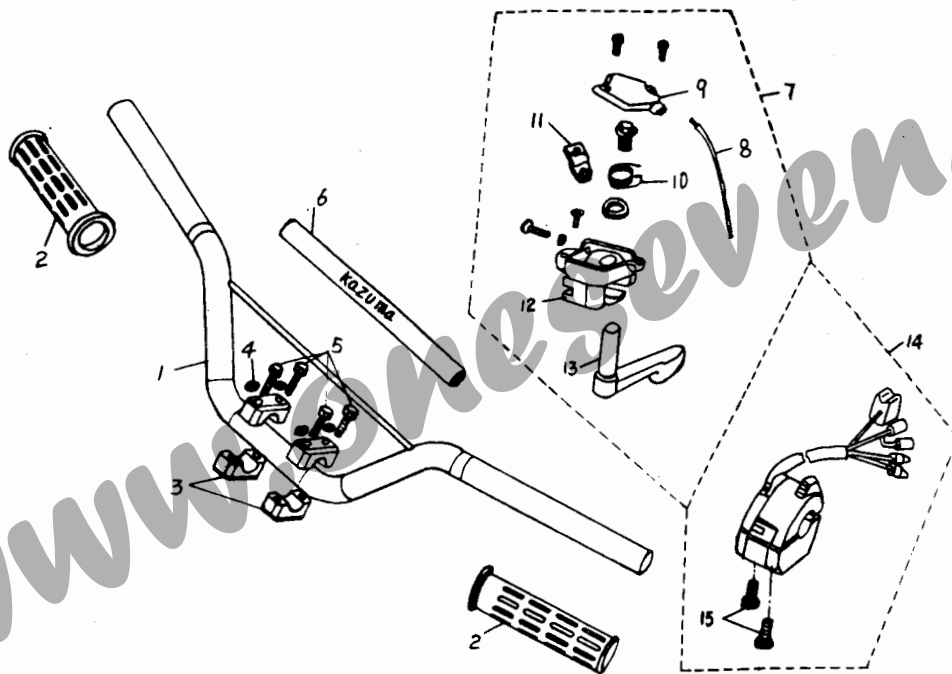
REAR BRAKE, REAR AXLE								7.
Part No.		Description	Q'ty	Part No.		Description	Q'ty	
31	GB5787-86	Bolt M8x1.25x90	1	46	C50-2400108	Drive sprocket	1	
32	GB6177-86	Nut M8x1.25	6	47	C50-2400106	Bolt M8x15	4	
33	GB6177-86	Lock nut M8x1.25	1	48	C50-2400105	Sleeve bush (1)	1	
34	C100-2401043	Cap	2	49	C50-2400122	Rear axle main shaft	1	
35	GB5787-86	Bolt M8x1.25	3	50	C50-2400116	Sleeve bush (2)	1	
36	C100-2401051	Rear brake shoe dowel pin	1	51	C50-2400117	Spline sleeve	1	
37	C100-2401048	Air pipe	1	52	C50-2400118	Sleeve bush (3)	1	
38	GB97.1-85	Plain washer $\phi 8$	2					
39	GB7245-87	Wave washer $\phi 8$	7					
40	GB5787-86	Bolt M8x1.25x25	2					
41	C50-2400123	Adjust bolt	2					
42	C50-2400150	Rear axle block comp.	1					
43	C50-2400119	Sleeve bush (4)	1					
44	C50-2400121	retainer ring	1					
45	C50-2400109	Drive sprocket seat						



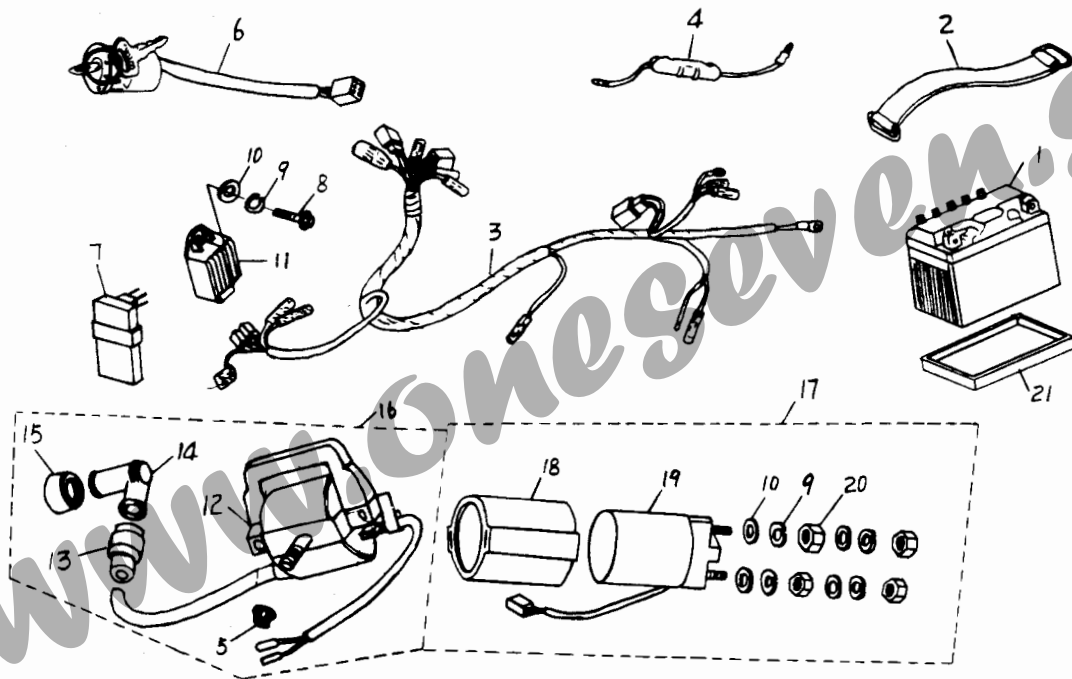


REAR WHEEL





HANDLE BAR				9.			
Part No.		Description	Q'ty	Part No.		Description	Q'ty
1	C50-3402100	Handle bar	1				
2	C50-8301103	Handle bar cap	2				
3	C100B-8301002	Handle bar clamp-upper	4				
4	GB97.1-86	Plain washer $\varnothing 8$	2				
5	GB5787-86	Right lever bracket	4				
6	C50-8301010	Garnish boot	1				
7	C50-8301400	ACC. Switch unit	1				
8	C50-3504600	ACC. cable	1				
9	C250-8301401	Handle grip	1				
10		Slot pull rod return spring	1				
11	C250-8301402	Lock plate	1				
12	C50-8301401	Shutter control display	1				
13	C250-8301407	Slot pull rod	1				
14	C50-3750000	Handle bar switch assy -LH	1				
15	GB818-85	Nut M4					



BATTERY								10.
Part No.		Description	Q'ty	Part No.		Description	Q'ty	
1	C50-3703000	Battery (12V7Ah)	1	16	C100B-3705000	Ignition coil assy	1	
2	C50-3703100	Battery rubber strap	1	17	C100B-3819000	Relay comp.	1	
3	C50-3700000	Hardness wires	1	18	C100B-3819001	Boot	1	
4	C50-3700010	Hub of cylinder fuse	1	19	C100B-3819010	Relay	1	
5	GB6177-86	Nut M6	1	20	GB6170-86	Nut M6	4	
6	C100B-8301110	Ignition switch	1	21	C50-3703201	Battery plate	1	
7	C50-3704000	C.D.I.	1					
8	GB5787-86	Bolt M6x20	1					
9	GB93-87	Washer Ø6	5					
10	GB97.1-86	Plain washer Ø6x12	5					
11	C100B-3702000	Voltage regulator	1					
12	C100B-3705010	Coil	1					
13	C100B-3705005	Ignition connecting pipe rubber(1)	1					
14	C100B-3705006	Ignition connecting pipe	1					
15	C100B-3705007	Ignition connecting pipe rubber(2)	1					

